

CLYNO
CARS

Provided by the Clyno Register.
*Spare Part
Catalogue
& Price List.*

The
CLYNO
ENGINEERING CO
(1922 LTD)
Service Depot
SEDGLEY STREET
WOLVERHAMPTON
ENGLAND

JULY, 1925

CLYNO CARS

Spare Parts Catalogue and List of Prices

Provided by the Clyno Register.
Not for sale

THE CLYNO ENGINEERING CO.
(1922) LTD.

Service Dept.—Spares and Repairs Department :

SEDGLEY STREET
WOLVERHAMPTON

Telephone No. : 362 Telegrams : CLYSER, Wolverhampton

Head Office and Main Factory :

PELHAM STREET
WOLVERHAMPTON

Method of ordering Spare Parts for Clyno Cars.

If you follow these instructions strictly you will greatly facilitate the service and supply of spare parts.

CHASSIS NUMBER.—Always quote Chassis number, which will be found stamped on the metal plate fixed to the dash panel under the bonnet. Both Part number and description should be quoted when ordering.

ORDERS BY TELEGRAPH.—It is essential that Chassis and Part numbers are quoted. If money is telegraphed, be sure that your name and address appear in the text of the message, and, as an additional safeguard, confirm your telegram by letter.

CORRESPONDENCE.—Always address your correspondence to:—

The Clyno Engineering Co. (1922) Ltd.,

Service Depôt,

Sedgley Street,

Telephone **362.**

Wolverhampton.

Telegrams: "Clyser, Wolverhampton."

Your list of spare parts required should be written on a separate sheet of paper, bearing your name and address. If away from home, your communication should give both your temporary and your home addresses. This enables us to refer to past correspondence.

If you correspond with us regarding parts that have been ordered through an Agent, kindly quote the name and address of the Agent.

You will greatly assist us if your address and signature are written in block capital letters, in order to avoid mistakes. If you have made any alterations to standard model you should, when ordering parts, give all necessary details regarding alteration.

Method of ordering Spare Parts—*continued.*

PARTS RETURNED.—Parts returned to us should be labelled distinctly. You should also advise us by letter as to their despatch, giving definite instructions and stating whether you wish the patterns returned.

CRATES.—Wings and other parts likely to be damaged in transit must be packed in a crate. For the nominal sum of one shilling (1/-) we can loan a suitable crate, provided it is returned to us carriage paid and in good condition within a reasonable period.

TERMS OF PAYMENT.—*Cash with order*, or *Cash against pro forma* invoice.

We ask our clients to conform to these terms by remitting cash with order, and to include a *sufficient* sum to cover postage, or passenger train rate when too heavy for post (overpayment will be refunded), otherwise *pro forma* invoice will be forwarded, and the goods will not be despatched until the amount of invoice is received.

DEPOSIT ACCOUNT.—We suggest the most satisfactory method is to open a Deposit Account, which can be renewed periodically. Deposits of not less than £5 will be accepted for this purpose.

GUARANTEE RETURNS.—When returning parts for replacement under guarantee state—

CHASSIS NUMBER.

DATE OF PURCHASE.

NAME OF AGENT RETAILING CAR.

Goods sent per passenger train should bear tally with sender's name inside the package, as tallies frequently get torn off, or are unreadable upon arrival.

PRICES are subject to alteration without notice.

Engine, Standard 1924-25.

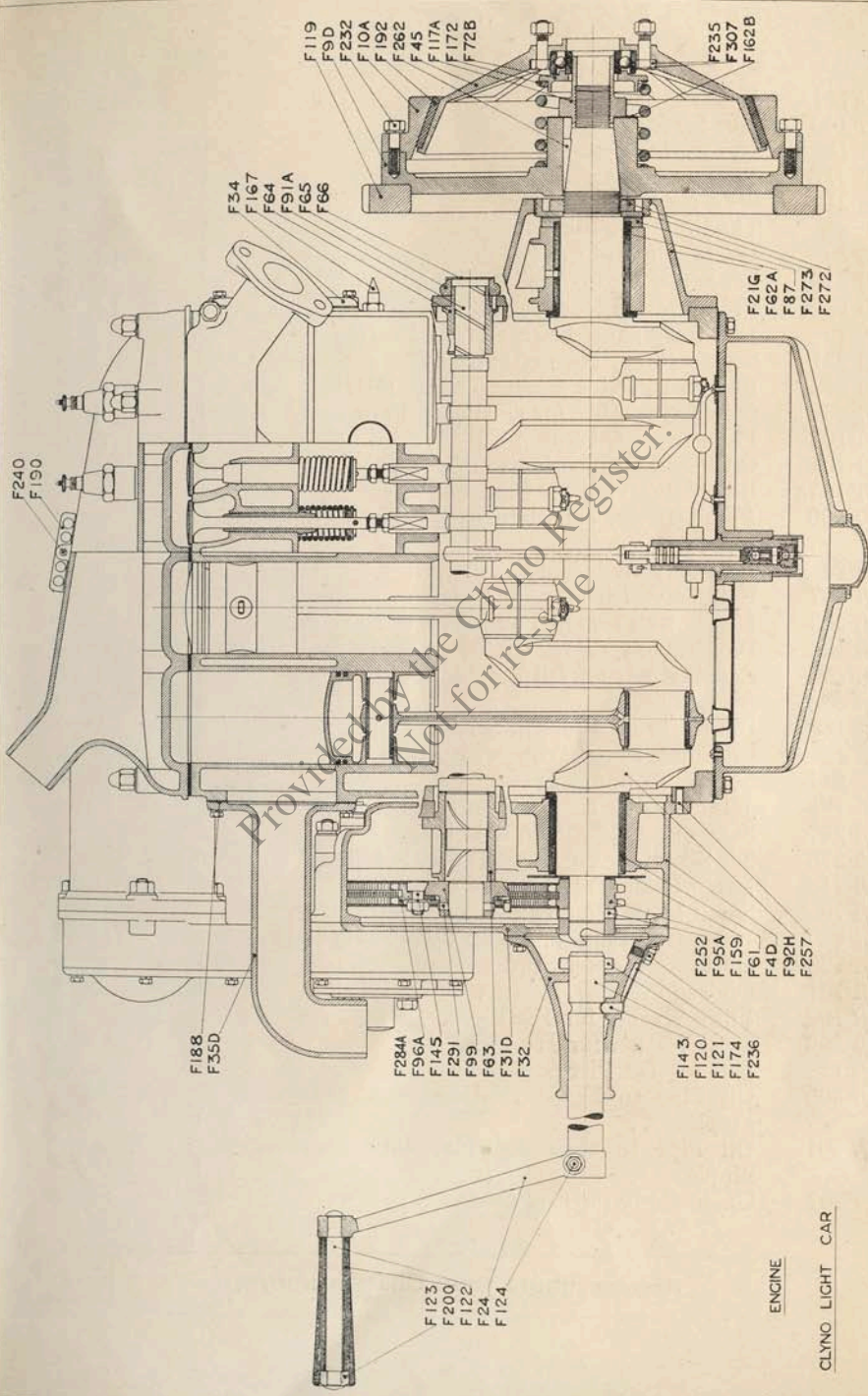
PART No.	DESCRIPTION.	NUMBER PRICE.		
		PER CAR.	£	s. d.
5/F501	Cylinder Block, complete with studs, valve guides, baffle plates and dowels	1	25	17 0
5/F1	Cylinder Block only	1	22	0 0
5/F216	Studs for Cylinder Head	17		3 ea.
5/F217	Short Stud for Exhaust Manifold	2		2 "
5/F218	Long Stud for Exhaust Manifold	4		3 "
5/F223A	Stud for Engine Arms	16		2 "
5/F226	Stud for Tappet Cover	2		5 "
5/F259	Baffle Plate for Oil Splash (Left Hand) ..	1	1	0 "
5/F260	Baffle Plate for Oil Splash (Right Hand) ..	1	1	0 "
5/F311	Rivet for Baffle Plate	6		6 doz.
5/F167	Timing Pointer	1		3 ea.
5/F257	Dowel Pin for Crankcase End Covers ..	2		2 "
5/F11	Valve Guide	8	2	9 "
5/F111	Valve	8	3	9 "
5/F170	Valve Spring	8		9 "
5/F113	Valve Spring Cup	8		6 "
5/F112	Valve Cotter Pin	8		2 "
5/F502	Tappet, complete with adjuster and lock nut ..	8	5	4 "
5/F114A	Valve Tappet	8	4	7 "
5/F115	Tappet Adjusting Screw	8		4 "
5/F271	Lock Nut for Tappet Adjusting Screw ..	8		2 "
5/F116	Tappet Steady Pin	8		5 "
5/F116A	Lock Nut for Tappet Steady Pin	8		2 "
5/F503	Connecting Rod, complete with cap, bolts, etc. ..	4	1	7 6 "
5/F60	Packing Shim for Connecting Rod	8		2 "
5/F125A	Connecting Rod Bolt	8	1	6 "
5/F126	Nut for Connecting Rod Bolt	8		2 "
5/F5A	Piston	4	19	9 "
5/F6A	Piston Ring	8	1	0 "
5/F108A	Gudgeon Pin	4	3	8 "
5/F251	Gudgeon Pin Taper Cotter	4		2 "
5/F504	Crankcase Cover, Flywheel End, complete with bushes, retaining nut and oil pipe union ..	1	2	4 0
5/F21G	Crankcase Cover, Flywheel End	1	1	1 0
5/F62A	Rear Bearing for Crankshaft	1		9 9
5/F64	Rear Bearing for Camshaft	1		6 3
5/F65	Camshaft Bearing Retaining Nut with Disc ..	1	4	5
5/F66	Disc for Retaining Nut	1		2
5/F505	Timing Case, complete with crankshaft front bearing, studs and oil pipe union	1	3	6 0
5/F4D	Timing Case only	1	2	9 6

Always quote your Chassis number.

Engine, Standard 1924-25—continued,

PART No.	DESCRIPTION.	NUMBER PER CAR.	PRICE.		
			£	s.	d.
6/F61	Front Bearing for Crankshaft	1	9	9	
6/F224A	Stud for Magneto Platform, $\frac{5}{16}$ " B.S.F.	1		2	
6/F224B	Stud for Magneto Platform, $\frac{3}{8}$ " B.S.F.	1		3	
6/F231	Set Screw for Crankcase and Timing Covers, $\frac{5}{16}$ " B.S.F. \times $\frac{3}{4}$ "	15		2	ea.
6/F92H	Crankshaft	1	9	7	0
6/F159	Oil Thrower Disc	1		8	
6/F277	Chain Wheel Distance Washer	1		4	
6/F95A	Crankshaft Chain Wheel	1	18	9	
6/F252	Pin for Crankshaft Chain Wheel	1		2	
6/F87	Thrust Washer for Rear End of Back Bearing	1		7	8
6/F273	Oil Return Washer	1		11	2
6/F272	Nut for Oil Return Washer	1		1	0
6/F91A	Camshaft	1	4	2	6
6/F63	Camshaft Front Bearing	1		11	6
6/F228	Set Screw for Camshaft Front Bearing	2		4	ea.
6/F99	Camshaft Chain Wheel Centre	1		5	6
6/F96	Camshaft Chain Wheel	1	1	2	0
6/F145	Bolt for Camshaft Chain Wheel	4		5	ea.
6/F291	Peg for Camshaft Chain Wheel	1		2	
6/F506	Magneto Bracket, complete with bush	1	1	3	0
6/F22C	Magneto Bracket only	1		16	6
6/F57A	Bush for Magneto Bracket	1		5	0
6/F222	Steady Pin for Magneto Bracket	1		3	
6/F507	Magneto Shaft, with segment screws	1	1	1	6
6/F279	Driving Segment for Magneto Coupling	1		4	3
6/F94G	Magneto Shaft only	1		14	3
6/F278	Retaining Screw for Driving Segment	3		2	ea.
6/F281	Spring Stop Grub Screw	1		2	
6/F508	Flange for Magneto Spindle, complete with driving pin	1		5	6
6/F109B	Coupling Flange for Magneto Spindle	1		4	2
6/F280	Driving Pin	1		6	
6/F178	Circular Spring for Magneto Coupling	1		6	
6/F197	Fibre Block for Magneto Coupling	1		1	0
6/F109	Coupling Flange for Magneto Spindle	1		4	2
6/F110	Driving Pins for Magneto Coupling	6		2	ea.
6/F189	Leather Coupling for Magneto	1		1	0
6/F263	Magneto Shaft Key	2		4	ea.
6/F153	Distance Tube between Chain Wheels	1		8	
6/F97A	Magneto Chain Wheel	1		8	9
6/F284A	Driving Chain for Camshaft and Magneto	1	1	7	6
6/F285	Driving Chain for Dynamo	1		13	3

Always quote your Chassis number.



Provided by the Clyno Register.
 Not for resale

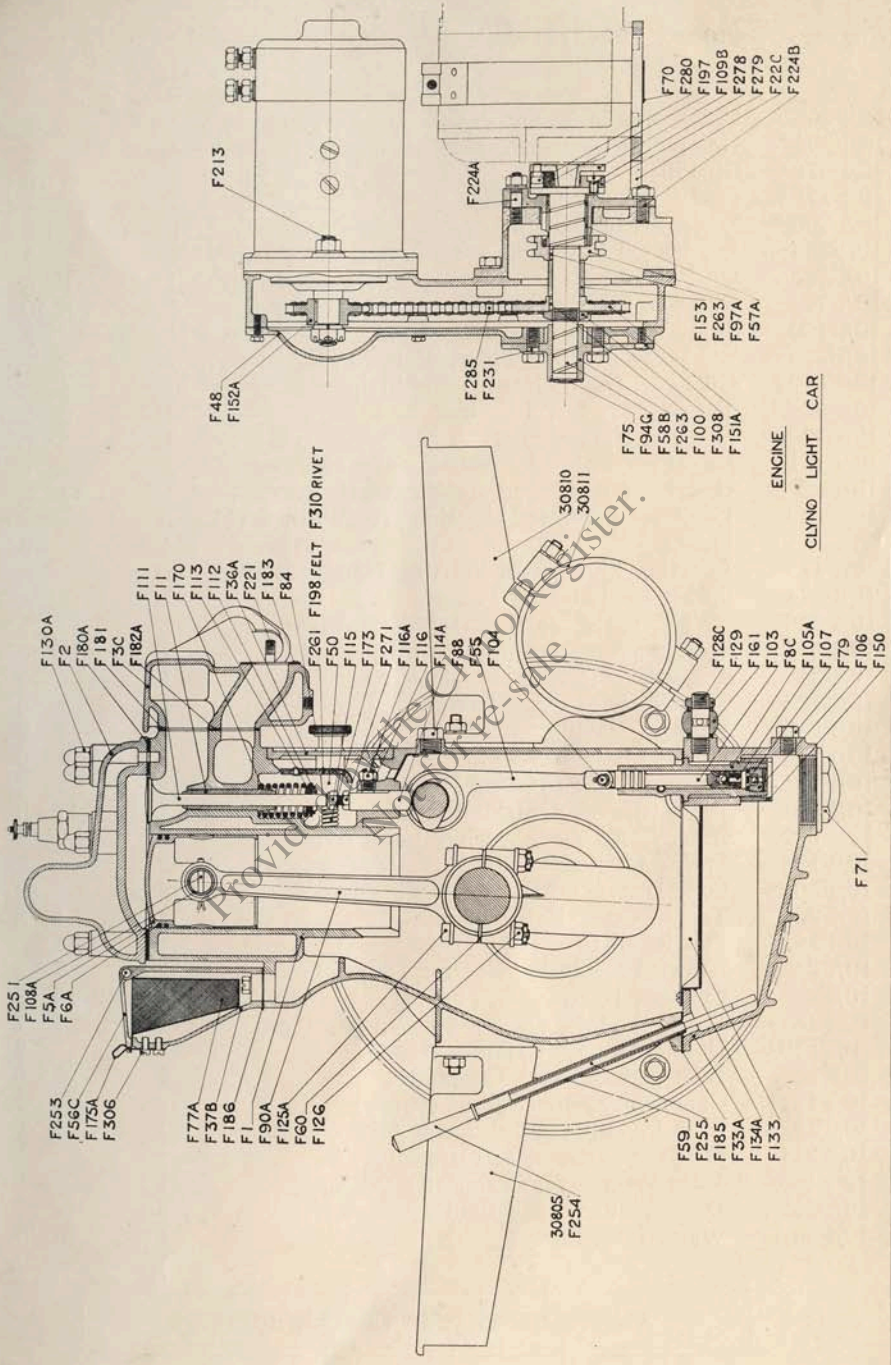
ENGINE

CLYNO LIGHT CAR

Engine, Standard 1924-25—continued.

PART No.	DESCRIPTION.	NUMBER PER CAR.	PRICE		
			£	s.	d.
8/F151A	Dynamo Chain Wheel	1	12	0	
8/F100	Nut for Magneto Shaft.. .. .	1		4	
8/F152A	Dynamo Sprocket	1	7	9	
8/F31D	Timing Case Cover	1	2	0	8
8/F213	Stud for Dynamo Flange	3		4	ea.
8/F85	Timing Cover Plug	1		5	
8/F48	Dynamo Chain Cover	1	10	6	
8/F238	Set Screw for Covers, $\frac{3}{16}$ " Whit. \times $\frac{5}{8}$ " ..	23		2	ea.
8/F58B	Front Bearing for Magneto Shaft ..	1	14	3	
8/F75	Disc for Magneto Shaft Front Bearing ..	1		4	
8/F231	Set Screw for Magneto Shaft Front Bearing	2	2		ea.
8/F308	Fulcrum Pin for Magneto Shaft Bearing ..	1		2	
8/F55	Connecting Link for Oil Pump Plunger ..	1	5	6	
8/F103	Plunger for Oil Pump	1	5	6	
8/F104	Oil Pump Connecting Pin	1		8	
8/F105A	Ball Valve Plug for Plunger	1	1	0	
8/F509	Pump Body, complete with oil trough feed pipes	1	16	6	
8/F8c	Oil Pump Body only	1	6	7	
8/F107	Ball Valve Disc for Oil Pump	1		2	
8/F305	$\frac{1}{4}$ " dia. Ball for Oil Pump Valves	2		1	ea.
8/F106	Ball Valve Plug for Oil Pump Body	1		6	
8/F150	Locking Nut for Oil Pump	1	1	0	
8/F33A	Oil Sump	1	2	4	0
8/F133	Dipper Trough for Oil Sump	4	1	0	ea.
8/F134A	Oil Sump Filter Tray, with gauze	1	8	9	
8/F241	Screws for Sump Tray	8	1	0	doz.
8/F185	Joint Washer for Oil Sump	1		4	
8/F237	Sump Bolt, $\frac{1}{4}$ " B.S.F. \times 1" long	6		3	ea.
8/F275	Set Screw for Sump, $\frac{1}{4}$ " B.S.F. \times $\frac{5}{8}$ " long ..	10		3	"
8/F71	Large Drain Plug at Base of Sump	1	1	11	
8/F79	Small Drain Plug at Side of Sump	1		5	
8/F88	Inspection Plug for Pump Connecting Link..	1		8	
8/F128c	Oil Pipe Adapter Stud	1		5	
8/F161	Oil Tee Piece	1	2	9	
8/F199	Fibre Washer for Tee Piece	2		1	ea.
8/F282	Steel Washer for Tee Piece	1		1	
8/F129	Nut for Tee Piece	1		2	
8/F300	Oil Pipe to Front Bearing, with nuts and nipples	1	6	0	
8/F301	Oil Pipe to Rear Bearing, with nuts and nipples	1	6	0	
8/F302	Union Body for End Covers	2		5	ea.

Always quote your Chassis number.



ENGINE
CLYNO LIGHT
CAR

Engine, Standard 1924-25—continued.

PART No.	DESCRIPTION.	NUMBER PER CAR.	PRICE.	
			£	s. d.
10/F303	Union Nipple for Oil Pipe	4		3 ea.
10/F304	Union Nut for Oil Pipe	4		3 "
10/F37B	Oil Filler	1	5	0
10/F175A	Spring Clip for Oil Filler	1		2
10/F306	Screw for Spring Clip	2		4 doz.
10/F253	Pin for Oil Filler Lid	1		2
10/F56C	Oil Filler Lid	1	1	8
10/F77A	Filter Gauze for Oil Filler	1	3	10
10/F186	Joint Washer for Oil Filler	1		2
10/F275	Set Screws for Oil Filler, $\frac{1}{4}$ " B.S.F. \times $\frac{5}{8}$ " long	2		3 ea.
10/F510	Oil Level Gauge Handle and Strip	1	4	5
10/F59	Tube for Oil Level Gauge	1	2	2
10/F120	Starting Handle Shaft	1	5	6
10/F121	Engagement Pin for Starting Handle Shaft ..	1		4
10/F32	Housing for Starting Handle Shaft	1	14	3
10/F239	Long Set Screw for Housing, $\frac{3}{16}$ " Whit. \times $1\frac{1}{8}$ " long	4		3 ea.
10/F143	Locating Plunger for Starting Handle Shaft	1		4
10/F174	Spring for Locating Plunger	1		4
10/F236	Set Screw for Starting Handle Spring	1		2
10/F511	Starting Handle, complete with crank	1	16	6
10/F24	Crank for Starting Handle	1	6	9
10/F122	Spindle for Starting Handle	1		5
10/F200	Ebonite Starting Handle	1	3	3
10/F123	Brass Collar for Spindle	1		6
10/F124	Cotter Pin for Starting Handle Crank	1		4
10/F36A	Tappet Cover (Outside Plate)	1	11	0
10/F512	Inner Baffle Plate, with felt and rivets	1	2	9
10/F173	Spring for Baffle Plate	2		2 ea.
10/F50	Cone Distance Piece for Baffle Plate	2	10	
10/F261	Tappet Cover Baffle Plate	1	1	3
10/F198	Felt for ditto	1	1	0
10/F84	Knurled Retaining Nut for Tappet Cover	2	2	2 ea.
10/F2	Cylinder Head	1	2	15 0
10/F180A	C. and A. Joint Gasket for Cylinder Head	1	4	7
10/F130A	Domed Nut for Cylinder Head	17		3 ea.
10/F3c	Inlet and Exhaust Manifold	1	1	7 6
10/F181	C. and A. Exhaust Joint (Single)	2		5 ea.
10/F182A	C. and A. Inlet and Exhaust Joint (Combined)	1	1	8
10/F221	Stud for Carburetter Flange	2		2 ea.
10/F183	Joint Washer for Carburetter Flange	1		6
10/F130A	Domed Nut for Manifold	5		3 ea.
10/F35D	Water Inlet Pipe	1	9	2

Always quote your Chassis number.

Engine, Standard 1924-25—continued.

PART No.	DESCRIPTION.	NUMBER PER CAR.	PRICE.		
			£	s.	d.
11/F188	Joint Washer for Water Covers	2		2	ea.
11/F34	Cylinder Water Cover Plate (Rear)	1	5	6	
11/F238	Set Screws for Covers, $\frac{3}{16}$ " Whit. \times $\frac{5}{8}$ " long ..	16		2	ea.
11/30805	Engine Arms	3	7	6	ea.
11/30874	Starter Bracket, with cap ..	1	1	6	6
11/30810	Engine Arm (Starter Bracket)	1	19	3	
11/30813	Stud for Starter Bracket ..	4		2	ea.
11/30811	Cap for Starter Bracket ..	1	5	0	
11/2081	Spring Washer for Starter Bracket	4		1	ea.
11/993	Nuts for Starter Bracket ..	4		1	ea.
11/31689	Engine Arm (Starter Support)	1	9	6	
11/32102	Starter Bracket	1	17	6	
11/31692	Bolts for Engine Arm, $\frac{3}{8}$ " B.S.F.	2		2	ea.
11/2082	Spring Washers for Engine Arm, $\frac{3}{8}$ "	2		1	"
11/729	Nuts for Engine Arm, $\frac{3}{8}$ " B.S.F.	2		1	"
11/31691	Bolts for Starter Bracket, $\frac{5}{16}$ " B.S.F.	2		2	"
11/2034	Plain Washer. for Starter Bracket	2		1	"
11/993	Nuts for Starter Bracket, $\frac{5}{16}$ " B.S.F.	2		1	"

Provided by the Clyno Rep.
Not for re-sale

Always quote your Chassis number.

Engine (Colonial or Saloon Models).

PART No.	DESCRIPTION.	NUMBER PER CAR.	PRICE.		
			£	s.	d.
12/F48A	Dynamo Chain Cover	1	11	6	
12/F58C	Chain Drive Bearing Housing.. ..	1	16	0	
12/F94H	Magneto Shaft	1	16	0	
12/F268	Oil Return Collar on Magneto Shaft	1	1	0	
12/F269	Distance Collar for ditto	1		9	
12/F312	Ball Race for ditto	1		7	0
12/F31F	Timing Case Cover	1	2	4	0
12/30880	Fan	1	14	3	
12/30717	Ball Race for Fan	2	4	6	ea.
12/30881	Bearing Distance Piece	1	1	0	
12/30860	Springwell Lubricator for Fan	1		6	
12/30884	Fan Spindle	1	4	6	
12/30882	Rear Dust Cover for Fan	1	2	6	
12/2043	Washer for Front of Fan Spindle	1		1	
12/4835	Nut for Front of Fan Spindle	1		1	
12/30850	Front Dust Cover for Fan	1	2	6	
12/30883	Eccentric for Fan	2	2	6	ea.
12/2083	Spring Washer for Rear of Fan	1		1	
12/809	Nut for Rear of Fan	1		1	
12/30852	Fan Pulley on Magneto Shaft	1	8	9	
12/30878	Fan Belt (24) Links, 28 $\frac{3}{4}$ " long	1	4	9	

Always quote your Chassis number.

Engine (Ball Bearing Type).

PART No.	DESCRIPTION.	NUMBER PER CAR.	PRICE.		
			£	s.	d.
13/F4A	Timing Case	1	3	4	6
13/F21	Flywheel End Cover	1	1	2	0
13/F286	Crankshaft Ball Race, 40 × 110 × 27	2	1	12	0 ea.
13/F92	Crankshaft	1	9	7	0
13/F256	Camshaft Ball Race Clip	1			3
13/F287	Camshaft Ball Race (Front), 25 × 52 × 15	1		11	0
13/F288	Camshaft Ball Race (Rear), 17 × 40 × 12	1		8	9
13/F91	Camshaft	1	4	2	6
13/F95A	Crankshaft Chain Wheel	1		18	9
13/F96A	Camshaft Chain Wheel	1	1	2	0
13/F99	Camshaft Chain Wheel Centre	1		5	6
13/F102	Camshaft Rear Bearing Housing	1		5	6
13/F142	Camshaft Bearing Clip	1			3
13/F236	Camshaft Bearing Clip Set Pin	1			4
13/F73	Oil Pipe Tee Piece	1		2	9
13/F86	Elbow on Timing Case	1		1	0
13/F83	Oil Pipe to Timing Cover	1		6	0

Always quote your Chassis number.

Flywheel and Clutch.

PART No.	DESCRIPTION.	NUMBER PER CAR.	PRICE.		
			£	s.	d.
14/F9D	Flywheel	1	2	15	0
14/F119	Starter Gear Ring for Flywheel (105) Teeth..	1	2	4	0
14/F233	Bolts for Starter Gear Ring	8			3 ea.
14/F262	Flywheel Key	1			6
14/F162B	Locking Plate for Flywheel	1			6
14/F240	Screw for Locking Plate	1			4 doz.
14/F117A	Crankshaft Nut	1		12	8
14/F513	Clutch Cone, with lining and rivets	1	2	15	0
14/F45	Clutch Cone	1	1	13	6
14/F192	Lining for Clutch Cone	1		13	2
14/F309	Rivets for Clutch Lining	12			6 doz.
14/F307	Bearing for Clutch Cone	1		9	11
14/F172	Clutch Spring	1		3	3
14/F72B	Adapter for Clutch Spring	1		7	8
14/F235	Bolts for Clutch Centre	6			3 ea.
14/F10A	Clutch Ring for Flywheel	1	1	7	6
14/F232	Bolts for Clutch Ring	8			3 ea.

Always quote your Chassis number.

Magneto and Carburetter.

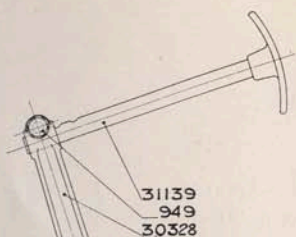
PART No.	DESCRIPTION.	NUMBER PER CAR.	PRICE		
			£	s.	d.
15/30866	Magneto, Fellows E.S.4 clockwise	1	10	0	0
15/30847	Bolt for Base of Magneto	1			2
15/E.S.4/402	Contact Breaker complete	1	1	17	6
15/E.S.4/435	Long Platinum Screw for Contact Breaker ..	1		7	9
15/E.S.4/455	Short Platinum Screw for Contact Breaker ..	1		7	9
15/F190	Fibre Block for High Tension Leads	1		1	2
15/F240	Screw for Fibre Block	1			2
15/F514	Magneto Strap, with screws	1		6	0
15/F70	Magneto Strap (only)	1		4	3
15/F147	Magneto Strap Pin (plain)	1			4
15/F148	Pin for Magneto Strap (tapped)	1			4
15/F149	Screw for Magneto Strap	1			6

Always quote your Chassis number.

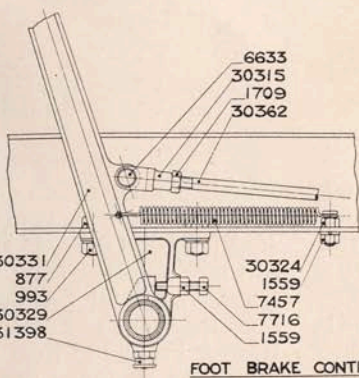
Clutch Shaft.

PART No.	DESCRIPTION.	NUMBER PER CAR.	PRICE.		
			£	s.	d.
16/30145	Clutch Shaft with spider ..	1	18	0	
16/30861	Clutch Thrust Inner Race ..	} For Cars	1	6	9
16/30862	Clutch Thrust Outer Race ..		1	6	9
16/1561	$\frac{5}{16}$ " dia. Balls for Thrust Race	} up to Chassis No. 4900	19	1	2 set
16/7314	Oil Hole Cover		1		4
16/5478	Screw for Oil Hole Cover	1		1	
16/30893	Clutch Shaft, with spider ..	1	18	6	
16/30715	Clutch Thrust Race	} For Cars over No. 4900	1	12	0
16/32101	Cover for Clutch Thrust Race		1	4	9
16/32103	Washer for Clutch Thrust Race	1		2	
16/31398	Grease Adapter for Gun ..	1		6	
16/30865	Clutch Universal Joint Spider (Engine End)	1	7	0	
16/31117	Pin for Spider	1		3	
16/30863	Locking Nut for Thrust Race	1	1	0	
16/30864	Spring Ring for Lock Nut	1		2	
16/30161	Flexible Joints	2	9	6 ea	
16/30163	Bolts for Flexible Joints	9		2 "	
16/2034	Washers for Flexible Joint Bolts	12		3 doz	
16/2101	Castle Nuts for Flexible Joints	12		1 ea	
16/2060	Split Pin for Flexible Joints	12		2 doz	
16/30151	Clutch Flange	1			
16/30156	Studs for Clutch Flange	3		2 ea	
16/30150	Universal Joint Spider on Gear Shaft ..	1	4	9	

Always quote your Chassis number.



31139
949
30328

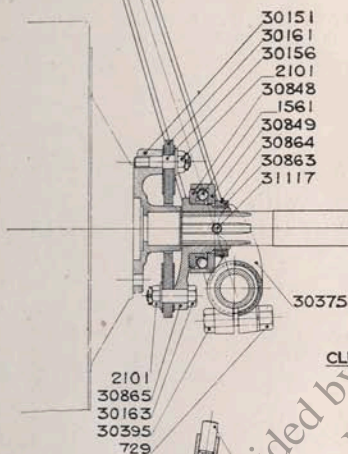


6633
30315
1709
30362

30331
877
993
30329
31398

30324
1559
7457
7716
1559

FOOT BRAKE CONTROL



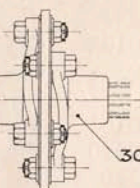
30151
30161
30156
2101
30848
1561
30849
30864
30863
31117

30893

30375

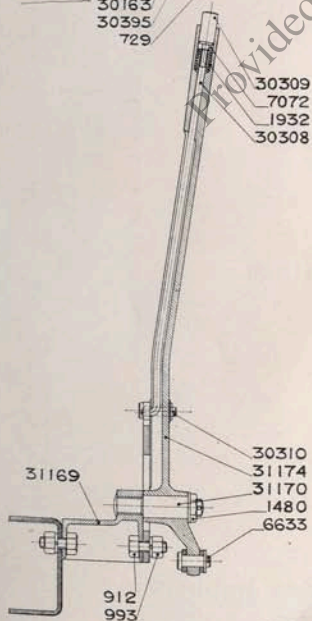
2101
30865
30163
30395
729

CLUTCH CONTROL & CLUTCH SHAFT



30150

Provided by the Clyno Register.
Not for re-sale



30309
7072
1932
30308

31169

30310
31174
31170
1480
6633

912
993

30307
30305

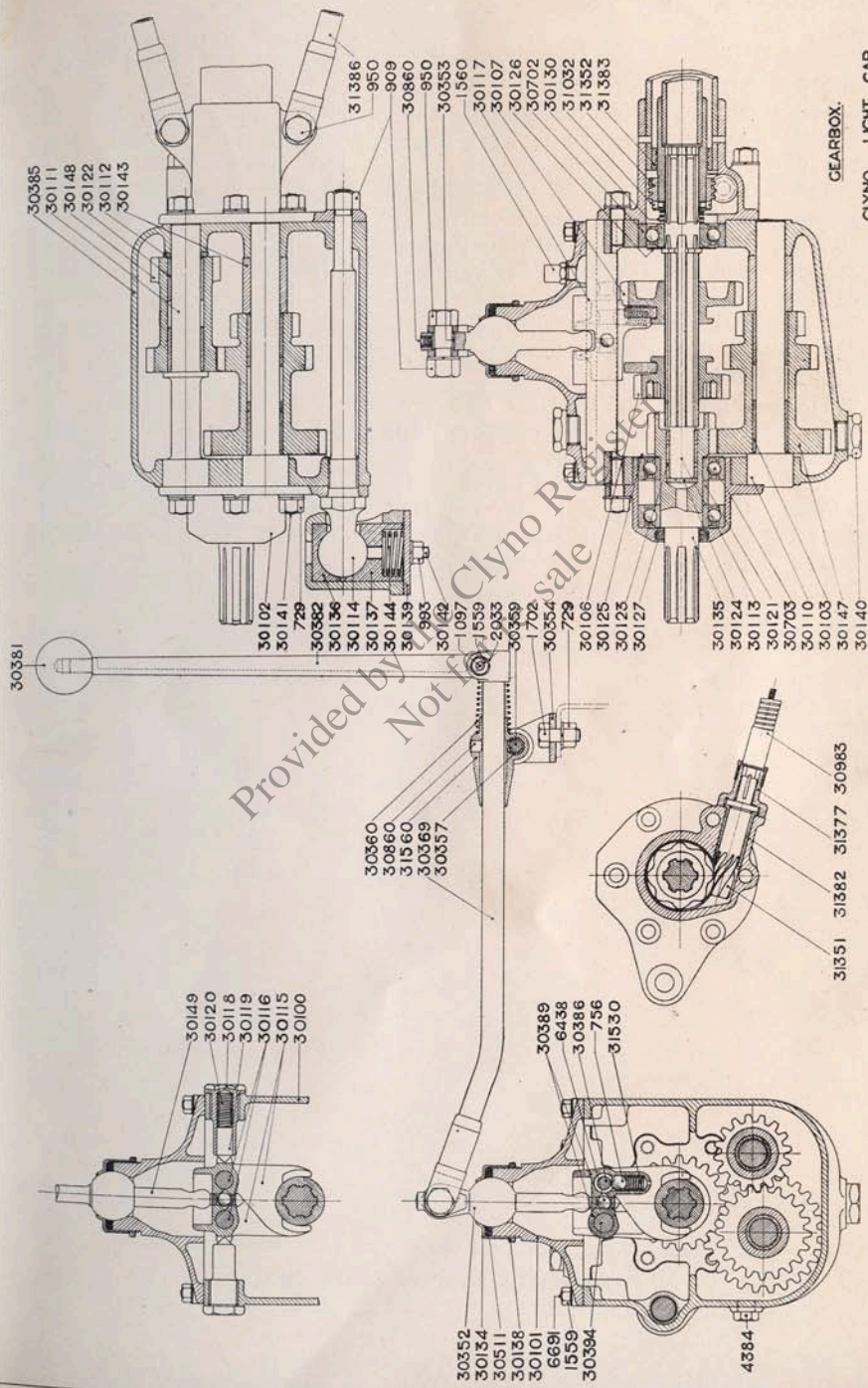
30315
1709
31183

HAND BRAKE CONTROL

Gear Box.

PART No.	DESCRIPTION.	NUMBER PER CAR.	PRICE.		
			£	s.	d.
18/30100	Gear Box Body for Cars up to No. 3800	1	2	7	6
18/30385	Gear Box Body for Cars over No. 3800	1	2	7	3
18/6691	Stud for Top Cover, $\frac{1}{4}$ " B.S.F.	8			1 ea.
18/1559	Nut for Gear Box Top Cover, $\frac{1}{4}$ " B.S.F.	8			1 "
18/2033	Plain Washer for Top Cover Studs	8			1 "
18/30141	Stud for Front and Rear Covers, $\frac{3}{8}$ " B.S.F.	10			2 "
18/729	Nut for Front and Rear Covers, $\frac{3}{8}$ " B.S.F.	12			1 "
18/31380	Stud for Rear Cover (long), $\frac{3}{8}$ " B.S.F.	2			2 "
18/2082	Spring Washer for ditto	12			1 "
18/30140	Drain Plug, $\frac{1}{8}$ " Gas	1			6 "
18/4384	Plug for Oil Level, $\frac{1}{4}$ " Gas	1			3 "
18/30165	Gear Box Body 30100, assembly as above		2	15	6
18/30384	Gear Box Body 30385, assembly with Part Numbers 6691, 30141, 30104, 4384, 31380		2	15	6
18/30101	Top Cover	1		11	3
18/30140	Plug for Top Cover, $\frac{1}{8}$ " Gas	1			6
18/1560	Ball Release Valve, $\frac{1}{8}$ " Gas Thread	1			4
18/30147	Layshaft Gear, with P.B. Bushes	1	1	16	3
18/30103	Bush only, for Layshaft Gear	2		2	3 ea.
18/30110	Layshaft	1		8	3
18/30143	Distance Piece for Layshaft	1		2	3
18/30148	Reverse Gear, with P.B. Bushes 30122	1	1	8	0
18/30122	Bushes only for Reverse Gear	2		4	0 ea.
18/30111	Reverse Shaft	1		7	9
18/30112	Hardened Washer for Reverse Shaft	1			7
18/30135	Sleeve Gear	1	1	17	0
18/30124	Thrust Washer inside Sleeve Gear	1			7
18/30123	Bush for Sleeve Gear	1		3	0
18/30125	Oil Thrower for Sleeve Gear	1			2
18/30703	Ball Bearing for Sleeve Gear	2		14	0 ea.
18/30121	Distance Piece for Sleeve Gear Bearings	1			9
18/30102	Front Cover for Gear Box	1		12	0
18/30127	Felt Washer for Front Cover	1			1
18/30113	Main Shaft	1		18	9
18/30126	Oil Thrower for Main Shaft	1			2
18/30702	Ball Bearing for Main Shaft	1		15	6
18/30107	Third and Reverse Sliding Gear	1		19	9
18/30106	Second and Top Speed Sliding Gear	1		19	9
18/30117	Gate Plate between Change Speed Forks	1		5	0
18/6438	Ball for Stop Plate, $\frac{3}{8}$ " diam.	1			1

Always quote your Chassis number.



GEARBOX.
 CLYNO LIGHT CAR.

Gear Box—continued.

PART No.	DESCRIPTION.	NUMBER PER CAR.	PRICE.		
			£	s.	d.
20/30115	Striking Fork (Steel) ..	2	16	6	ea
20/30116	Shaft for Steel Striking Fork	} For Cars	2	1	6
20/30118	Adapter for Striking Fork Plunger		up to	2	9
20/30119	Plunger for Striking Fork ..	} No. 3800	2	4	"
20/30120	Plunger Spring for Striking Fork		2	3	"
20/30389	Striking Fork (Gun Metal)	} For	2	6	9
20/30386	1st and Reverse Striking Fork Shaft		Cars	1	3
20/30394	2nd and Top Speed Striking Fork Shaft	} over	1	3	6
20/31530	Striking Fork Spring		No.	2	2
20/756	Ball for Striking Fork, $\frac{7}{16}$ " diam. ..	} 3800	2	2	"
20/31581	Plunger Ball Socket for G.M. Forks		2	6	"
20/31582	Lock Washer for Socket	2	1	"	
20/30114	Support Ball for Gear Box	1	12	6	
20/909	Nut for Gear Box Support Ball, $\frac{1}{2}$ " B.S.F. ..	1	1	1	
20/30167	Change Speed Lever	} For	1	15	0
20/30132	Steel Ball at top of Lever		Central	1	2
20/745	Countersunk Screw for Top Ball	} change only	1	3	"
20/30134	Screwed Cap for Change Speed Lever ..		1	2	6
20/30511	Felt Washer for Screwed Cap	1	2	2	
20/30138	Lock Ring for Screwed Cap	1	2	0	

Provided by the Copyright Clearance Center
 Not for re-sale

Always quote your Chassis number.

Gear Box (R.H. Change Speed Control).

PART No.	DESCRIPTION.	NUMBER PER CAR.	PRICE.		
			£	s.	d.
21/30369	Change Speed Rod, with Fork End complete	1	4	0	
21/30352	Gear Box Change Speed Lever	1	3	9	
21/30134	Screwed Cap for Gear Box Cover	1	2	6	
21/30511	Felt Washer for Gear Box Screwed Cap ..	1		2	
21/30353	Bush for Gear Box Lever Fulcrum Pin ..	1		3	
21/950	Fulcrum Pin for Fork End, $\frac{1}{2}$ " B.S.F. ..	1		6	
21/909	Nut for ditto, $\frac{1}{2}$ " B.S.F.	1		1	
21/2084	Spring Washer for ditto, $\frac{1}{2}$ "	1		1	
21/31560	Change Speed Swivel, with Bush	1	3	0	
21/30357	Bush only	1		4	
21/30860	Oiler for Lever and Swivel	2	6		ea.
21/30354	Bracket on Frame for Swivel	1		6	
21/1702	Bolt for Bracket to Frame, $\frac{3}{8}$ " B.S.F. ..	1		2	
21/2082	Spring Washer, $\frac{3}{8}$ "	1		1	
21/729	Nut for Bracket Bolt, $\frac{3}{8}$ " B.S.F.	1		1	
21/30359	Fulcrum Pin for Swivel, $\frac{3}{8}$ " B.S.F.	1		6	
21/4835	Nut for ditto, $\frac{3}{8}$ " B.S.F.	1		1	
21/30360	Spring for Change Speed Rod	1		2	
21/30382	Change Speed Lever	1	3	3	
21/30381	Black Ball for Change Speed Lever	1		6	
21/1097	Cotter for Change Speed Lever	1		2	
21/2033	Washer for Cotter Nut, $\frac{1}{4}$ " diam.	1		1	
21/1559	Nut for Cotter, $\frac{1}{4}$ " B.S.F.	1		1	

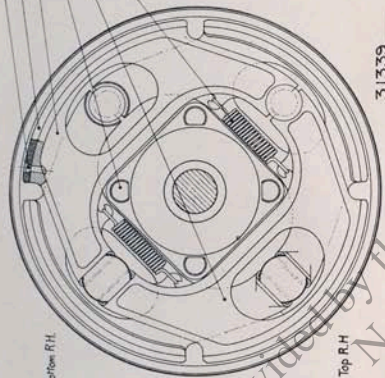
Always quote your Chassis number.

Back Axle—continued.

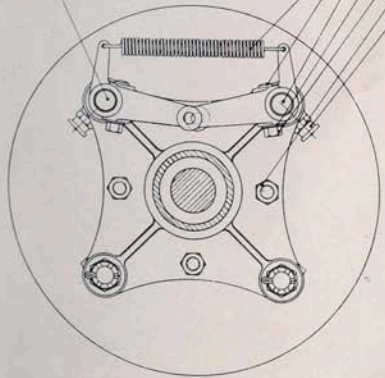
PART No.	DESCRIPTION.	NUMBER PER CAR.	PRICE		
			£	s.	d.
25/31359	Differential Housing	1	1	14	3
25/31366	Differential Crown Wheel	1	4	2	6
25/31363	Differential Wheel	2		13	9
25/31364	Differential Pinion	2		10	3
25/31365	Fulcrum Pin for Pinion	1		2	9
25/2067	Split Pin for Fulcrum	2			8
25/31346	Spiral Bevel Pinion	1	2	1	3
25/30712	Differential Ball Bearing, $1\frac{1}{2}'' \times 3\frac{1}{4}'' \times \frac{3}{4}''$	2		17	3
25/30715	Differential Ball Thrust Race	1		12	0
25/31357	Packing Shims for Differential Thrust	As Req'd.			1
25/30713	Large Bearing for Pinion, $1\frac{1}{8}'' \times 2\frac{13}{16}'' \times \frac{13}{16}''$	1		16	9
25/31337	Distance Sleeve for Pinion	1		4	2
25/30715	Thrust Race for Pinion	1		12	0
25/31331	Bearing Housing for Pinion	1		11	0
25/31032	Dowel for Pinion Bearing Housing	1			1
25/31336	Pinion Adjusting Screwed Sleeve	1		5	0
25/30714	Pinion Small Bearing, $1\frac{1}{8}'' \times 2\frac{1}{2}'' \times \frac{5}{8}''$	1		13	9
25/31338	Pinion Lock Nuts	2		4	
25/31339	Locating Screw for Adjusting Sleeve	1			1
25/949	Bolt for Axle Case, $\frac{5}{16}''$ B.S.F. $\times 1\frac{1}{4}''$ long	9			2
25/2081	Spring Washer for Axle Case	9			1
25/993	Nut for Axle Case Bolt, $\frac{5}{16}''$ B.S.F.	9			1
25/31306	Rear Hub Bearing Housing	2	4		6
25/31319	Felt Washer	2			2
25/31312	Rear Hub Bearing Distance Piece	2			6
25/31313	Felt Washer Retaining Plate	2			2
25/30711	Rear Hub Bearing	2	1	0	0
25/31308	Axle Shaft	2	1	8	3
25/30025	Key for Rear Wheel Hub	2			7
25/31305	Rear Hub	2		17	0
25/31317	Studs for Road Wheel	8			7
25/31403	Washer for Axle Shaft (1924, 6671)	2			1
25/31400	Slotted Nut for Axle Shaft (1924, 30022)	2			3
25/2068	Split Pins for Axle Shaft Nut	2			1
25/31314	Lock Nut for Wheel Bearing	4			7
25/31374	Rear Hub, complete with Bearing and Axle Shaft	2	3	19	0
25/31318	Bolt for Wheel Bearing Housing	8			3
25/2082	Spring Washer for ditto	8			1
25/729	Nut for ditto, $\frac{3}{8}''$ B.S.F.	8			1
25/31303	Brake Drum	2	8		9
25/31325	Countersunk Screws, $\frac{1}{4}''$ B.S.F., for Brake Drum	4			1

Always quote your Chassis number.

- 1565
- 31321
- 31376
- 31318
- 31375
- 31323



31309 Top L.H. Bottom R.H.



- 7457
- 1097
- 31310 Bottom L.H. Top R.H.
- 2048
- 1659
- 729
- 31398
- 31386
- 2108
- 31326
- 31324
- 30057
- 729
- 2082

- 31329
- 31320

- 31303
- 31305
- 31317
- 31250
- 30059
- 30058
- 30025
- 31403
- 31400

- 31353
- 31315 L.H. 31316 R.H.
- 31314
- 30711
- 2104
- 2044
- 31511

- 31308
- 31312
- 31313
- 31319
- 31325
- 31306
- 31307

- 31387
- 31388
- 31346
- 31338
- 30714
- 31337
- 31336
- 31331
- 30715
- 30713
- 31359
- 31365
- 31364
- 31363
- 31354
- 30712

- 31339
- 31328
- 729
- 2082
- 31032
- 31366
- 30712
- 31357
- 30715

- 31308
- 31396
- 31397
- 993
- 949
- 2081

- 4384
- 31368
- 2067

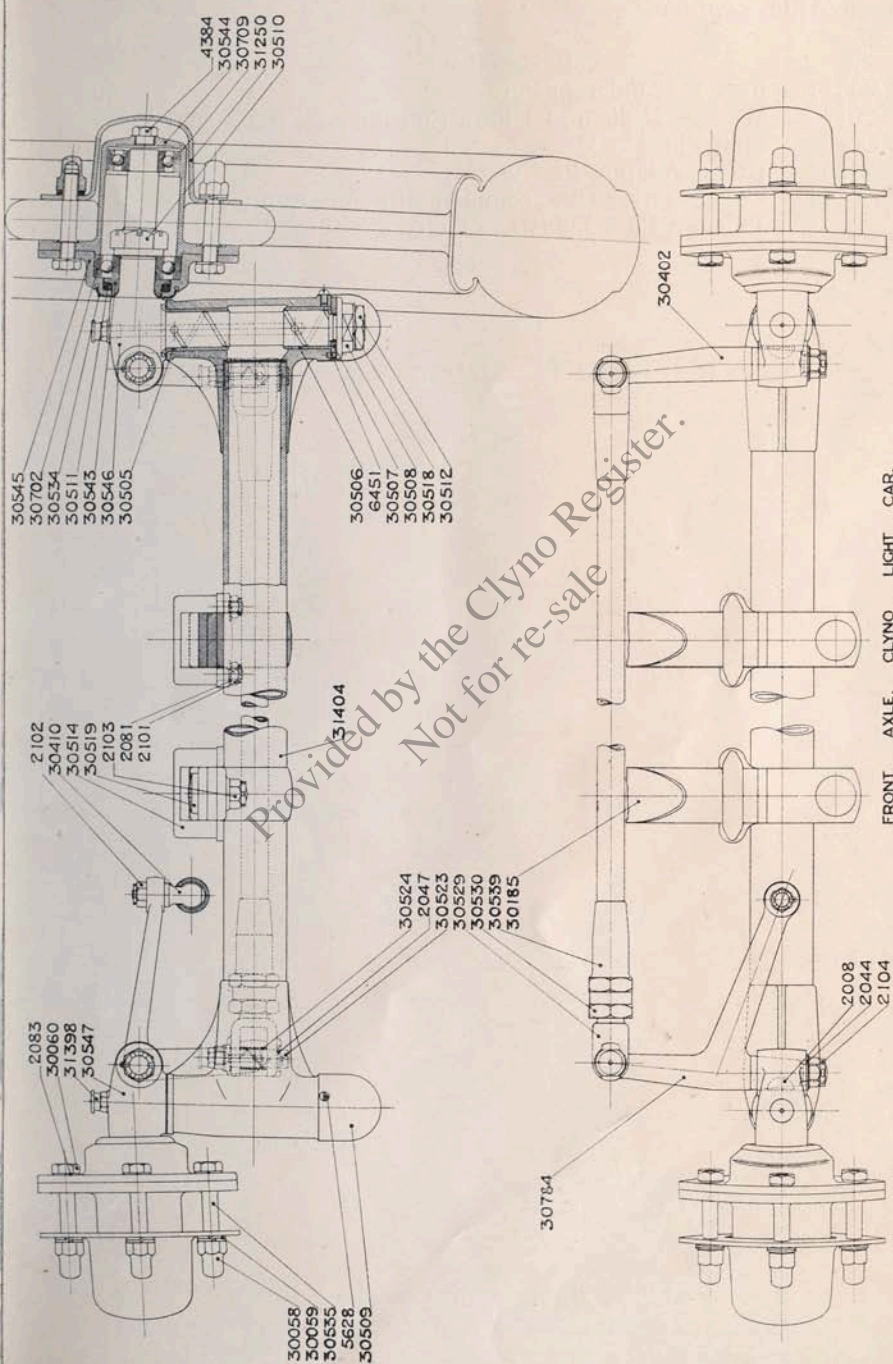
BACK AXLE
CLYNO LIGHT CAR

Provided by the Clyno Register
Not for re-sale

Front Axle.

PART No.	DESCRIPTION.	NUMBER		PRICE.		
		PER CAR.		£	s.	d.
26/31405	Front Axle Beam, with Spring Pads, Steering Heads and Bushes	1		5	0	0
26/30505	Top Bush for Swivel	2		6	0	ea
26/30506	Bottom Bush for Swivel	2		4	0	"
26/30546	Axle Swivel (Left Hand), Near Side	1	1	2	0	"
26/30547	Axle Swivel (Right Hand), Off Side	1	1	2	0	"
26/30543	Distance Piece for Swivel	2		2	3	"
26/30545	End Cover for Hub Shell	2		9	6	"
26/30511	Felt Washer for Hub End Cover	2		2		"
26/30702	Large Ball Bearing for Front Hub	2	15	6		"
26/30510	Nut for Ball Bearing	2		10		"
26/2070	Split Pin for ditto, $\frac{1}{8}$ " \times $1\frac{3}{4}$ "	2		1		"
26/30534	Small Dust Cover for End Cover	2		4		"
26/30544	Front Hub Shell	2	17	6		"
26/30535	Studs for Front Wheel	8		4		"
26/30060	Nut for Front Wheel Studs, $\frac{7}{16}$ " Whit.	8		1		"
26/2083	Spring Washer for ditto, $\frac{7}{16}$ " diam.	8		1		"
26/4384	Oil Plug for Hub Shell, $\frac{1}{4}$ " Gas	2		3		"
26/30709	Small Bearing for Front Hub	2	12	6		"
26/30507	Swivel Thrust Washer, Phosphor Bronze	2		1	6	"
26/6451	Swivel Thrust Washer Peg, $\frac{9}{8}$ " \times $\frac{5}{16}$ "	2		1		"
26/30508	Hardened Swivel Thrust Nut	2		2	3	"
26/30518	Lock Washer for Thrust Nut	2		1		"
26/30512	Swivel Lock Nut	2		3		"
26/30509	Swivel Oil Cup	2		7		"
26/5628	Screw for Oil Cup	6		2		do
26/30402	Single Steering Arm, Near Side, with Bush (30524)	1		11	6	
26/30784	Double Steering Arm, Off Side, with Bush (30524)	1	1	5	6	
26/30410	Ball for Double Steering Arm	1		2	9	
26/2102	Castle Nut for Ball, $\frac{3}{8}$ " B.S.F.	1		2		
26/2063	Split Pin for ditto, $\frac{5}{16}$ " \times 1 "	1		1		
26/30524	Bush for Steering Arms	2		6		ea
26/2008	Key for Steering Arms	2		2		"
26/2104	Castle Nut for Steering Arms, $\frac{1}{2}$ " B.S.F.	2		2		"
26/2044	Plain Washer for Nut, $\frac{1}{2}$ "	2		1		"
26/2066	Split Pin for ditto, $\frac{1}{8}$ " \times 1 "	2		1		"
26/30539	Cross Steering Tube, with one Fork End and Screwed Sleeve	1	1	0	0	
26/30529	Fork End Screwed	1		4	0	
26/30530	Lock Nut for Screwed Fork End, $\frac{3}{4}$ " B.S.F.	1			2	

Always quote your Chassis number.



Provided by the Clyno Register.
 Not for re-sale

FRONT AXLE. CLYNO LIGHT CAR.

Front Axle—continued.

PART No.	DESCRIPTION.	NUMBER PER CAR.	PRICE.		
			£	s.	d.
28/30523	Fork End Fulcrum Pin	2	2	3	ea
28/2047	Washer, $\frac{1}{2}$ " diam., for Fork End Fulcrum Pin	2		1	"
28/2066	Split Pin, $\frac{1}{8}$ " \times 1"	2		1	"
28/31398	Grease Adapter for Gun	4		6	"
28/30542	Cross Steering Tube, complete with Fork Ends, Fulcrum Pins, Lubricators, etc.	1	1	10	0

Provided by the Clyno Register.
Not for re-sale

Always quote your Chassis number.

Speedometer Front Wheel Drive.

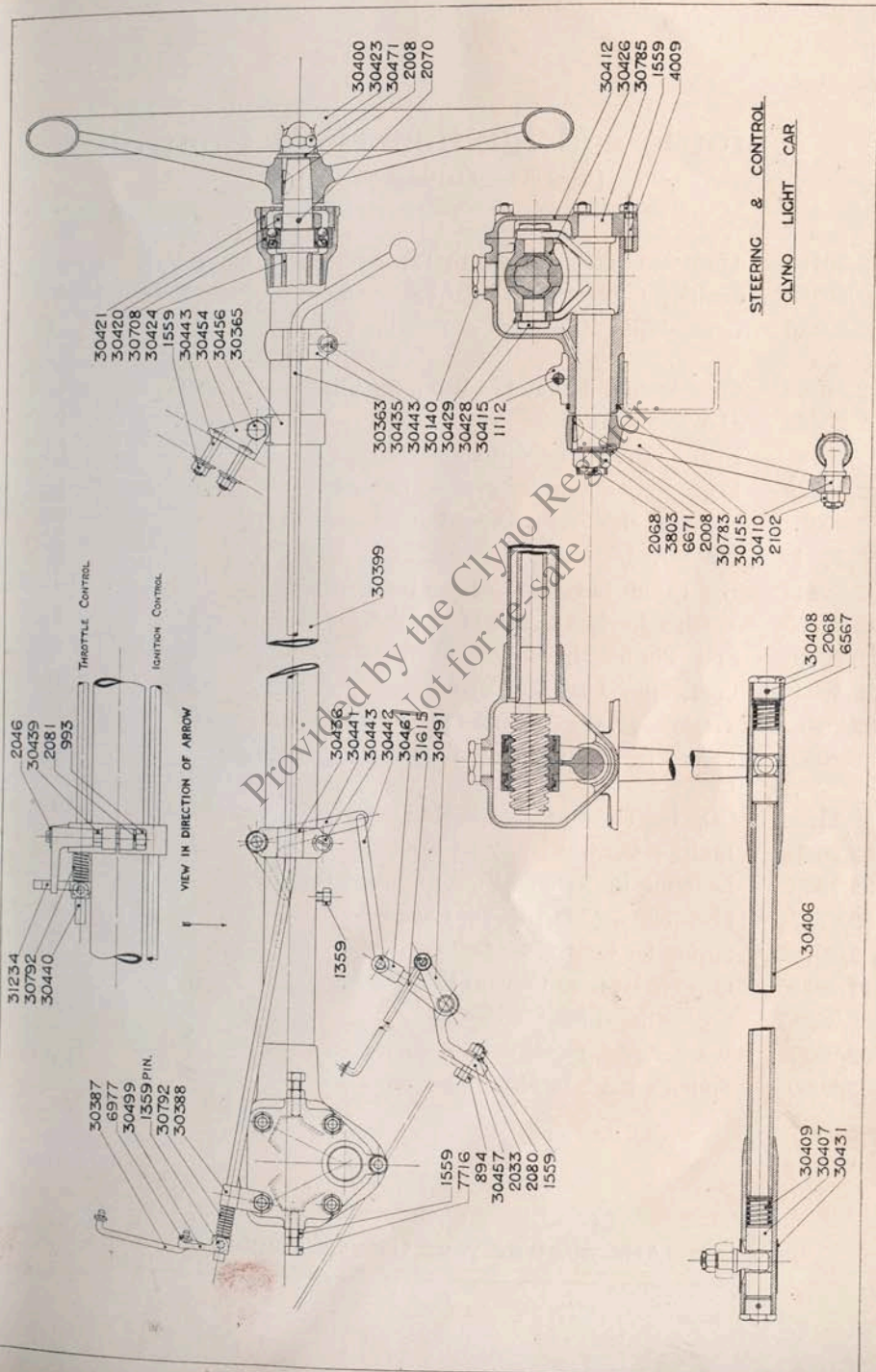
PART No.	DESCRIPTION.	NUMBER PER CAR.	PRICE.		
			£	s.	d.
29/30981	Gear Ring on Front Wheel	1	10	6	
29/30984	Speedometer Gear Box complete	1	2	5	0
29/30931	Bracket for Speedometer Gear Box	1	4	6	
29/30932	Distance Tube for Bracket	1		8	
29/949	Bolt for Bracket	1		2	
29/2081	Spring Washer for Bolt, $\frac{3}{16}$ "	1		1	
29/993	Nut for Bracket Bolt, $\frac{5}{16}$ " B.S.F.	1		1	
29/30930	Stud for Speedometer Bracket	1	2	0	
29/30935	Lug for Speedometer Bracket	1	4	6	
29/30238	Bolt for Lug of Bracket	2	2		ea.
29/2080	Spring Washer for Lug Bolt, $\frac{1}{4}$ "	2	1		"
29/1559	Nut for Lug Bolt, $\frac{1}{4}$ " B.S.F.	2	1		"
29/2043	Washer for Stud, $\frac{3}{8}$ " diam.	1	1		
29/729	Nut for Stud, $\frac{3}{8}$ " B.S.F.	1	1		

Always quote your Chassis number.

Steering.

PART No.	DESCRIPTION.	NUMBER PRICE.		
		PER CAR.	¢	s. d.
30/30399	Steering Column, with Box, Support and Control Clips, and Bearing Housing	1	2 7	6
30/30140	Plug, $\frac{1}{2}$ " Gas, for Steering Box	1		6
30/30412	Cover for Steering Box	1	6	0
30/4009	Stud, $\frac{1}{4}$ " B.S.F., for Steering Box Cover	5		1
30/2080	Spring Washers, $\frac{1}{4}$ ", for Cover	5		1
30/1559	Nut, $\frac{1}{4}$ " B.S.F., for Cover and Stop Screw	7		1
30/7716	Stop Screw on Cover, $\frac{1}{4}$ " B.S.F.	2		2
30/30426	Steering Worm Nut, lined white metal	1	12	9
30/30785	Operating Lever for Steering Box	1	19	9
30/30122	Bush in Box for Operating Lever 1924 Type	2	5	0
30/30428	Steering Worm Nut Fulcrum Pin	2	2	3
30/30429	Lock Washer for Worm Nut Fulcrum Pins	2		1
30/30424	Steering Shaft, with Worm	1	1 5	6
30/30708	Ball Race for Steering Column	1	14	6
30/30420	Lock Nut for Ball Race on Shaft	1		4
30/2070	Split Pin for Lock Nut	1		1
30/30421	Lock Ring for Ball Race in Column	1	4	9
30/30400	Steering Wheel	1	1 13	0
30/2008	Key for ditto	1		2
30/30471	Washer for Steering Wheel Nut	1		3
30/30423	Domed Nut, $\frac{1}{2}$ " B.S.F., for Steering Wheel	1		7
30/2008	Key for Steering Box Drop Arm	1		2
30/30783	Steering Box Drop Arm	1	6	0
30/6671	Washer for Steering Box Drop Arm	1		1
30/3803	Castle Nut for Steering Box Drop Arm	1		3
30/2068	Split Pin for Steering Box Drop Arm	1		1
30/30410	Steering Drop Arm Ball	1	2	9
30/2102	Castle Nut for Drop Arm Ball	1		2
30/2063	Split Pin for Castle Nut	1		1
30/30406	Side Steering Rod, with Slotted Ends	1	17	6
30/6567	Blank Washer for Side Steering	4		1
30/30407	Ball Socket for Side Steering	4	1	6
30/30409	Spring for Ball Socket	2	1	6
30/30408	Screwed End Cap for Side Steering Rod	2		5
30/2068	Split Pin for Screwed Cap	2		1
30/30431	Spring Cover for Side Steering Rod	2		5
30/30155	Spring Ring for Steering Box Chassis Bracket	1		3
30/30454	Support Bracket for Steering Column (to Body)	1	2	3
30/30443	Countersunk Screws for Support Bracket	3		2
30/1313	Washer, $\frac{1}{4}$ " diam., for Column Support Screws	3		1
30/2080	Spring Washers, $\frac{1}{4}$ ", for ditto	3		1
30/1559	Nut, $\frac{1}{4}$ " B.S.F., for ditto	3		1
30/30456	Bolt for Clip and Bracket	1		7
30/993	Nut, $\frac{5}{16}$ " B.S.F., for Steering Column Clip Bolt	1		1

Always quote your Chassis number.



STEERING & CONTROL
CLYNO LIGHT CAR

THROTTLE CONTROL

IGNITION CONTROL

VIEW IN DIRECTION OF ARROW

Provided by the Clyno Repro Co
Not for re-sale

Throttle and Ignition Hand Controls (Steering Column Type).

PART No.	DESCRIPTION.	NUMBER		PRICE.		
		PER CAR.		£	s.	d.
32/30440	Throttle Control Rod, with Taper Sleeve ..	1		4	3	
32/30363	Ignition Control Rod, with Taper Sleeve ..	1		4	9	
32/30436	Control Clip at Bottom of Steering Column ..	2		1	3	ea
				halves		
32/30443	Countersunk Screw, $\frac{1}{4}$ " B.S.F., for Clips ..	2		1		ea
32/2048	$\frac{1}{4}$ " Washer for ditto	2		1		
32/1559	Nut, $\frac{1}{4}$ " B.S.F., for ditto	2		1		
32/30439	Pivot Pin for Crank Lever on Column ..	1		4		
32/993	Nut, $\frac{5}{16}$ " B.S.F., for Pivot Pin	1		1		
32/2080	Washer, $\frac{5}{16}$ ", for ditto	1		1		
32/30441	Bell Crank Lever on Column for Throttle ..	1		10		
32/2046	Washer for Bell Crank Lever, $\frac{5}{16}$ "	1		1		
32/2060	Split Pin for ditto	1		1		
32/30442	Connecting Link for Throttle	1		4		
32/2048	Washer, $\frac{1}{4}$ " for Throttle Connecting Link ..	2		1		ea
32/2060	Split Pin, $\frac{1}{16}$ " \times $\frac{3}{4}$ ", for Throttle Connecting Link	2		1		ea
32/31234	Cam for Throttle Control Rod	1		10		
32/30499	Ignition Control Lever on Rod	1		7		
32/1359	Locating Pin, $\frac{1}{4}$ " B.S.F., for Control Rod Levers	2		2		ea
32/4127	Lock Nuts, $\frac{1}{4}$ " B.S.F., for Cam Lever ..	2		1		
32/30792	Spring for Control Rods	2		2		
32/30388	Clip for Ignition Control Rod to Box ..	1		2		
32/30387	Connecting Link for Magneto	1		4		
32/6977	Washer, $\frac{3}{16}$ ", for ditto	2		1		
32/2060	Split Pin, $\frac{1}{16}$ ", for ditto	2		1		

Always quote your Chassis number.

Throttle and Ignition Hand Controls (Instrument Board Type).

PART No.	DESCRIPTION.	NUMBER PER CAR.	PRICE.	
			£	s. d.
33/30446	Throttle Control Instrument Board Socket ..	1	2	9
33/816	Nut for Socket	1		2
33/821	Washer for Socket Nut	1		1
33/30448	Spindle for Throttle Knob	1	1	6
33/30450	Knob for Throttle Control (plated)	1	1	9
33/30475	Wire for Throttle Control	1		3
33/30451	Nipple for Control Wire	2	1	ea. 0
33/30474	Steel Tube for Control Wire	1	2	0
33/6574	Nipple for Tube.. .. .	1		1
33/6792	Nut for Tube Nipple	1		2
33/30465	Cable Pin for Carburetter Control	1		1
33/2048	Washer for Cable Pin	1		1
33/2059	Split Pin for Cable Pin.. .. .	1		1
33/30476	Clip for Cable and Steering Column	2	1	ea. 0
33/1407	Screw for Clip	2		1
33/7072	Nut for ditto	2		2

Ignition Control.

33/30447	Ignition Control Instrument Boards Socket	1	2	9
33/821	Washer for Adapter	1		1
33/816	Nut for ditto	1		1
33/30449	Spindle for Ignition Knob	1	1	6
33/30450	Knob for Ignition Control (plated)	1	1	9
33/30478	Wire for Ignition Control	1		3
33/30451	Nipple for Wire	1		1
33/30477	Steel Tube for Ignition Control Wire	1	3	0
33/6574	Nipple for Tube.. .. .	1		1
33/6792	Nut for ditto	1		2
33/30483	Screwed Adapter for bottom of Tube	1		6
33/30492	Support Plate on Steering Box	1		3
33/6765	Spring for Ignition Control Wire	1		3
33/3116	Washer for Spring	1		1
33/30484	Pin for Magneto Ignition Lever	1		3
33/1559	Nut, 1/4" B.S.F., for ditto	1		1
33/2048	Washer for ditto	1		1
33/2059	Split Pin for ditto	1		1

Always quote your Chassis number.

Foot Control for Carburetter.

PART No.	DESCRIPTION.	NUMBER PER CAR.	PRICE.		
			£	s.	d.
34/30479	Accelerator Pedal Tread, with Rod	1	5	0	
34/30460	Plated Washer on Pedal Board for Accelerator Pedal	1		4	
34/2118	Wood Screw for ditto	2		1	
34/30473	Fulcrum Pin for End of Accelerator Pedal Rod (1924 type)	1		3	
34/2048	Washer, $\frac{1}{4}$ " for ditto	1		1	
34/2060	Split Pin, $\frac{1}{16}$ " \times $\frac{3}{4}$ ", for ditto	1		1	
34/30461	Accelerator Pedal Lever on Cross Shaft	1	2	6	
34/30485	Screw, $\frac{3}{16}$ " Whit., for Pedal Lever	1		1	
34/30467	Accelerator Pedal Return Spring	1		2	
34/30491	Carburetter Control Cross Shaft, with Left Hand Lever	1	6	0	
34/30457	Bracket for Control Cross Shaft	2	1	6	
34/894	Bolt, $\frac{1}{4}$ " B.S.F., for Control Shaft Bracket ..	2		1	
34/1559	Nut, $\frac{1}{4}$ " B.S.F., for Control Shaft Bracket ..	2		1	
34/2033	Plain Washer for Nut	2		1	
34/2080	Spring Washer for Control Shaft Bracket ..	2		1	
34/30486	Bell Crank Lever for "D" type Carburetter (early models)	1		5	
34/30495	Support Plate and Fulcrum Pin for Bell Crank (early models)	1	1	2	
34/2033	Washer for Bell Crank Fulcrum Pin (early models)	1		1	
34/30489	Connecting Link for Bell Crank Lever (early models)	1		7	
34/30466	Control Rod for "D" type Carburetter (early models)	1		2	
34/31615	Control Rod for "B" type Carburetter (later models)	1		2	
34/2032	Washer, $\frac{3}{16}$ ", for Control Rods	2		1	
34/2060	Split Pin for Control Rods	2		1	

Always quote your Chassis number.

Clutch and Brake Controls.

PART No.	DESCRIPTION.	NUMBER		PRICE.	
		PER CAR.	£	s.	d.
35/30795	Pedal Shaft, with Clutch Operating Fork Lever, Return Spring Lever, and Clutch Pedal	1	1	1	0
35/30395	Bolt, $\frac{3}{8}$ " B.S.F., for Clutch Operating Fork Lever	2		3	ea.
35/2082	Spring Washer for ditto	2		1	"
35/729	Nut, $\frac{3}{8}$ " B.S.F., for ditto	2		1	"
35/30326	Distance Tube between Pedals	1		7	"
35/30331	Foot Brake Pedal	1	6	9	"
35/30329	Pedal Shaft Bracket	2	5	0	"
35/7716	Screw, $\frac{1}{4}$ " B.S.F., for Adjustable Pedal Stop ..	2		2	"
35/1559	$\frac{1}{4}$ " B.S.F. Nut for Pedal Stop Screw ..	2		1	"
35/877	Bolt, $\frac{5}{16}$ " B.S.F., for Pedal Shaft Bracket ..	4		2	"
35/2081	Spring Washer, $\frac{5}{16}$ ", for ditto	4		1	"
35/993	Nut, $\frac{5}{16}$ " B.S.F., for ditto	4		1	"
35/7457	Pedal Return Spring	2		3	"
35/30324	Pedal Return Spring Button	2		2	"
35/2080	Spring Washer, $\frac{1}{4}$ ", for ditto	2		1	"
35/1559	Nut, $\frac{1}{4}$ " B.S.F., for ditto	2		1	"
35/31398	Grease Adapter for Gun	2		6	"
35/31139	Pedal Foot Tread, with Pin	2	10	3	"
35/949	Bolt, $\frac{5}{16}$ " B.S.F., for Pedal Tread	2		2	"
35/2081	Spring Washer, $\frac{5}{16}$ ", for ditto	2		1	"
35/993	Nut, $\frac{5}{16}$ ", B.S.F., for ditto	2		1	"
35/31169	Hand Brake Lever Bracket	1	2	3	"
35/31170	Hand Brake Lever Fulcrum Pin	1	1	3	"
35/30305	Rack for Hand Brake Lever	1	2	9	"
35/912	Bolts, $\frac{7}{16}$ " B.S.F., for Hand Brake Lever Bracket	4		2	"
35/2081	$\frac{5}{16}$ " Spring Washer	4		1	"
35/993	$\frac{5}{16}$ " B.S.F. Nut for ditto	4		1	"
35/31174	Hand Brake Lever	1	6	9	"
35/30308	Hand Brake Lever Pawl Rod	1	2	0	"
35/1932	Return Spring for Pawl Rod	1		1	"
35/7072	$\frac{3}{16}$ " Lock Nut for Pawl Rod	1		1	"
35/30309	Thumb Knob for Pawl Rod	1		1	"
35/30307	Brake Ratchet Pawl	1	1	8	"
35/30310	Brake Pawl Fulcrum Pin	1		9	"
35/2048	$\frac{1}{4}$ " Washer for Pawl Pin	1		1	"
35/2060	Split Pin, $\frac{1}{16}$ " \times $\frac{3}{4}$ ", for Pawl Pin	1		1	"
35/30342	Hand Brake Lever, complete, comprising above numbers 31174 to 2060, assembled ..		13	6	"

Always quote your Chassis number.

Clutch and Brake Controls—*continued.*

PART No.	DESCRIPTION.		NUMBER		PRICE		
			PER CAR.		£	s.	d.
36/1480	Nut for Hand Brake Lever Fulcrum Pin ..	1				1	
36/2047	Washer for ditto	1				1	
36/2065	Split Pin, $\frac{3}{32}$ " \times $1\frac{1}{4}$ ", for ditto	1				1	
36/30343	Hand Brake Lever, with Bracket, comprising 31169 to 2065, assembled	1		14	0		
36/31185	Hand Brake Cross Shaft, with Left Hand Lever	1		10	0		
36/30344	Foot Brake Tube, Long, with Operating Levers and Internal Bushes	1		13	6		
36/30345	Foot Brake Tube, Short, with Operating Levers, Distance Tube and Internal Bushes	1		13	6		
36/31181	Internal Bush for Compensating Tubes	4				6	
36/31176	Ball End Compensating Bar for Foot Brake	For Cars	1			2 0	
36/1286	Spring for Compensating Bar ..	up	2			1	
36/31171	Hand Brake Shaft Lever, Right Hand to	1		4	0		
36/1097	Cotter for Hand Brake Shaft Lever ..	No.	1			2	
36/2048	$\frac{1}{4}$ " Washer for Cotter ..	7000	1			1	
36/1559	Nut, $\frac{1}{4}$ " B.S.F., for Cotter ..	1				1	
36/31398	Grease Gun Adapter for Hand Brake Shaft	2				6	
36/30346	Compensating Control Shaft, Nos. 31185, 30344, 30345, 31176 to 31398	1		2	6	0	
36/31222	Cross Shaft Bearing Bracket	2				3 0	
36/31223	Cap for Cross Shaft Bearing	2				2 3	
36/31231	Stud, $\frac{5}{16}$ " B.S.F., for Cross Shaft Bearing ..	4				1	
36/2081	Spring Washer, $\frac{5}{16}$ "	8				1	
36/993	Nut, $\frac{5}{16}$ " B.S.F., for Studs	8				1	
36/30362	Foot Brake Operating Rod	1				9	
36/31183	Hand Brake Operating Rod	1				6	
36/31189	Brake Adjusting Rod	4				9	
36/30315	Brake Rod Fork Ends	8				6	
36/6633	Pins for Brake Rod Fork Ends	8				2	
36/2045	Washers, $\frac{5}{16}$ ", for ditto	8				1	
36/2060	Split Pins, $\frac{1}{16}$ " \times $\frac{3}{4}$ ", for ditto	8				1	
36/1709	Lock Nuts, $\frac{5}{16}$ " B.S.F., for Brake Rods ..	12				1	
36/30318	Spring for Brake Adjustment	4				3	
36/30313	Brake Adjusting Fulcrum Plug	4				3	
36/30314	Brake Adjusting Nut	4				5	
36/2060	Split Pin, $\frac{1}{16}$ " \times $\frac{3}{4}$ ", for Brake Adjustment ..	4				1	

Always quote your Chassis number.

Clutch and Brake Controls— *inued.*

PART No.	DESCRIPTION.	NUMBER PER CAR.	PRICE.		
			£	s.	d.
37/32207	Hand Brake Cross Shaft, with Lever	} Chassis No. 7000 upwards	1	18	6
37/32203	Foot Brake Cross Shaft, with Lever		1	17	6
37/32202	Bracket for Brake Shafts ..		2	4	9 ea.
37/32201	Cap for Brake Shaft Bracket ..		2	3	6 "
37/32210	Hand Brake Adjusting Rod ..		2		9 "
37/32211	Hand Brake Operating Rod ..		1		6 "

Provided by the Clyno Register.
Not for re-sale

Always quote your Chassis number.

Chassis Frame (with Springs and Sundries).

PART No.	DESCRIPTION.	NUMBER PER CAR.	PRICE.		
			£	s.	d.
38/30390	Side Frame (Off Side), Right Hand	1	16	0	0
38/30391	Side Frame (Near Side), Left Hand	1	16	0	0
38/30258	Front Cross Member	1	1	3	9
38/30198	Centre Cross Member	1	1	7	0
38/30199	Rear Cross Member	1	19	6	0
38/877	Bolts, $\frac{5}{16}$ " B.S.F., for Cross Members, Front and Centre	12			2
38/949	Bolts, $\frac{5}{16}$ " B.S.F., for Front Wing Stays and Cross Member	4			2
38/6565	Bolts, $\frac{5}{16}$ ", for Rear Cross Member	6			2
38/993	Nuts for above, $\frac{5}{16}$ "	22			1
38/2081	Spring Washers, $\frac{5}{16}$ "	22			1
38/30142	Stud, $\frac{5}{16}$ " B.S.F., for Gear Box Support Bracket	3			1
38/30137	Support Ball Socket, Long, for Gear Box ..	1	8	6	
38/30136	Support Ball Socket, Short, for Gear Box ..	1	5	0	
38/30144	Spring for Gear Box Support Bracket	1		5	
38/30139	End Plate for Gear Box Support Bracket ..	1		5	
38/2081	Spring Washer for Support Bracket	3		1	
38/993	Nut, $\frac{5}{16}$ ", for Gear Box Support Bracket ..	3		1	
38/30224	Oil Pipe for Gear Box Support Bracket	1		3	
38/31398	Grease Adapter for Gun,	1		6	
38/30379	Rear Spring Bracket (Off Side), Right Hand	1	8	6	
38/30380	Rear Spring Bracket (Near Side), Left Hand	1	8	6	
38/877	Bolts, $\frac{5}{16}$ " B.S.F., for Rear Spring Bracket ..	4			2
38/2081	Spring Washer for Rear Spring Bracket Bolt	4			1
38/993	Nut, $\frac{5}{16}$ " B.S.F., for Rear Spring Bracket ..	4			1
38/1702	Bolt, $\frac{3}{8}$ " B.S.F., for Bottom of Rear Spring Brackets	4			2
38/2082	Spring Washer for Rear Spring Bracket Bolts	4			1
38/729	Nut for Bottom of Rear Spring Bracket, $\frac{3}{8}$ "	4			1
38/30184	Rear Spring	2	1	1	0
38/30185	Front Spring	2	1	1	0
38/30206	Rear Spring Bolt	2	2	6	
38/809	Nut, $\frac{7}{16}$ " B.S.F., for Rear Spring Bolt ..	4			1
38/30207	Rear Spring " U " Bolt	2			4
38/30212	Strap Plate for " U " Bolt	2	1	0	
38/729	Nuts for Rear Spring " U " Bolt, $\frac{3}{8}$ " B.S.F. . .	8			1
38/30415	Bracket for Steering Box to Frame	1	5	3	

Always quote your Chassis number.

Chassis Frame—continued.

PART No.	DESCRIPTION.	NUMBER	PRICE.	
		PER CAR.	£	s. d.
39/1112	Clip Bolt, $\frac{5}{16}$ " B.S.F., for Steering Box Bracket	1		2
39/877	Bolt, $\frac{5}{16}$ " B.S.F., for Steering Box Bracket (to Frame)	1		2
39/2081	Spring Washer, $\frac{5}{16}$ "	2		1 ea.
39/993	Nuts, $\frac{5}{16}$ ", for Steering Box Bracket Bolts ..	2		1 "
39/30226	Wood Block for Side Member (Off Side), Right Hand	1	2	3
39/30227	Wood Block for Side Member (Near Side), Left Hand	1	2	3
39/30214	Distance Tube for Front Spring Bolt ..	4		6 ea.
39/30787	Frame Bolt for Front Spring (Off Side), Right Hand	1	1	9
39/30786	Frame Bolt for Front Spring (Near Side), Left Hand	1	1	9
39/809	Nut, $\frac{7}{16}$ " B.S.F., for Front Spring Bolts ..	4		1 ea.
39/30782	Packing Piece for Front Spring	2	2	0 "
39/30788	Front Spring "U" Bolt	2		6 "
39/30202	Packing Piece for Front Spring "U" Bolt ..	2		4 "
39/30212	Strap Plate for "U" Bolt	2	1	0 "
39/729	Nut, $\frac{3}{8}$ " B.S.F., for Front Spring "U" Bolt ..	8		1 "
39/30519	Pin for Front Spring to Axle, $\frac{7}{16}$ " B.S.F. ..	2		7 "
39/2103	Castle Nut, $\frac{7}{16}$ " B.S.F., for ditto	2		3 "
39/2064	Split Pin, $\frac{3}{32}$ " x 1", for ditto	2		1 "
39/30514	Clip for Front Spring to Axle	2	1	9 "
39/2101	Castle Nut, $\frac{5}{16}$ " B.S.F. for Clip	4		1 "
39/2060	Split Pin for Castle Nut	4		1 "
39/31178	Rear Stepboard Bracket	2	5	0 "
39/877	Bolt for ditto, $\frac{5}{16}$ "	8		2 "
39/30232	Front Step Hanger for Channel	2	1	0 "
39/30233	Stepboard and Battery Support Channel ..	1	3	6 "
39/6565	Bolt for ditto, $\frac{5}{16}$ " B.S.F.	8		2 ea.
39/2081	Spring Washer, $\frac{5}{16}$ ", for Front and Rear Support	16		1 "
39/993	Nut, $\frac{5}{16}$ ", for ditto	16		1 "
39/30228	Carrier for Battery	1	11	0 "
39/30236	Side Strap for Battery Carrier	1		7 "
39/7716	Bolt, $\frac{1}{4}$ " B.S.F., for Side Strip	2		2 ea.
39/30238	Bolt, $\frac{1}{4}$ " B.S.F., for Rear of Battery Carrier ..	2		2 "
39/1559	Nut, $\frac{1}{4}$ " B.S.F., for ditto	6		1 "
39/2080	Spring Washer for ditto	2		1 "
39/30237	Distance Tube for Battery Carrier	2		2 "
39/912	Bolt, $\frac{5}{16}$ " B.S.F., for Front of Battery Carrier ..	2		1 "

Always quote your Chassis number.

Chassis Frame—continued.

PART No.	DESCRIPTION.	NUMBER PER CAR.	PRICE.		
			£	s.	d.
40/2081	Spring Washer, $\frac{5}{16}$ ", for ditto	2			
40/993	Nut, $\frac{5}{16}$ ", for ditto	2			
40/30262	Bracket for Battery Cables	1			
40/30796	Engine Undershield	1	13		
40/30245	Clips for Undershields to Frame	4			
40/661	Bolts, $\frac{1}{4}$ " B.S.F., for Undershield Clips	8			
40/2080	Spring Washer, $\frac{1}{4}$ ", for ditto	8			
40/1559	Nut, $\frac{1}{4}$ " B.S.F., for ditto	8			
40/30791	Rear Extension for Side Frame	2	5	0	
40/30684	Long Bolt for Rear Extension, $\frac{3}{8}$ " B.S.F.	2			4
40/30794	Short Bolt for ditto, $\frac{3}{8}$ " B.S.F.	2			4
40/2082	Spring Washer for Bolts, $\frac{3}{8}$ "	4			1
40/729	Nut for Bolts, $\frac{3}{8}$ " B.S.F.	4			1
40/30214	Distance Tube for Bolts	4			6

Provided by the Clyno Register.
Not for re-sale

Always quote your Chassis number.

Radiator and Fittings.

PART No.	DESCRIPTION.	NUMBER PRICE.		
		PER CAR.	£	s. d.
41/30392	Radiator, complete with Filler Cap and Drain Plug	1	11	16 0
41/30240	(CLYNO) Name Plate	1	4	3
41/30285	Filler Cap, with Washer	1	5	6
41/4384	Radiator Drain Plug, $\frac{1}{4}$ " Gas	1		3
41/30259	Rubber Pad for Bracket	2		2 ea.
41/30395	Bolt, $\frac{3}{8}$ " B.S.F., for Radiator Bracket	2		3 ..
41/729	Nut, $\frac{3}{8}$ " B.S.F., for above	2		1 ..
41/2082	Spring Washer, $\frac{3}{8}$ "	2		1 ..
41/30205	Water Pipe Rubber Hose, Top	1	1	2
41/30210	Water Pipe Rubber Hose, Bottom	1		10
41/30208	Clip for Rubber Hose Connections	4		9 ea.
41/30393	Stay Rod from Radiator to Body	1		6
41/993	Nut, $\frac{5}{16}$ " B.S.F., for Stay Rod	3		1 ..
41/2034	Plain Washer, $\frac{5}{16}$ ", for Stay Rod	2		1 ..
41/2081	Spring Washers, $\frac{5}{16}$ ", for Stay Rod	2		1 ..
41/30266	Bracket on Dashboard for Radiator Stay	1		3
41/2157	Coach Bolt for Bracket to Dashboard	2		2 ea.
41/2080	Spring Washer, $\frac{1}{4}$ ", for Coach Bolts	2		1 ..
41/1559A	Nut, $\frac{1}{4}$ " Whit., for Coach Bolts	2		1 ..

Always quote your Chassis number.

Petrol Tank and Fittings.

PART No.	DESCRIPTION.	NUMBER PER CAR.	PRICE		
			£	s.	d.
42/30697	Petrol Tank	1	1	7	6
42/3077	Filler Cap	1		2	6
42/3094	Leather Washer for Filler Cap				
42/30614	Petrol Tap, with Fibre Washers (Standard)..	1	2	0	
42/1373	Fibre Washer for Petrol Tap (Standard) ..	1		1	
42/30642	Petrol Pipe, with Nipples and Nuts for Tap and Carburetter	1	5	6	
42/30620	Petrol Tank Support Strap, with Screwed Ends	2	1	9	
42/1313	Washer for Support Strap Nuts	4		1	
42/1559	Support Strap Nuts, $\frac{1}{4}$ " B.S.F.	8		1	
42/30609	Felt Packing Strip for Petrol Tank	2		10	

Always quote your Chassis number.

Silencer and Pipes.

PART No.	DESCRIPTION.	NUMBER PER CAR.	PRICE.		
			£	s.	d.
43/30376	Silencer	1	16	0	
43/30221	Front Pipe Clip on Silencer	1		2	
43/30298	Rear Pipe Clip on Silencer	1		2	
43/661	Bolt, $\frac{1}{4}$ " B.S.F., for Silencer Clips and Supports	4		1	ea.
43/2080	Spring Washers, $\frac{1}{4}$ ", for Clips and Supports ..	4		1	"
43/1559	Nut, $\frac{1}{4}$ ", B.S.F., for Clips and Supports ..	4		1	"
43/30789	Front Exhaust Pipe	1	8	3	
43/30204	Flange only for Exhaust Pipe	1	2	3	
43/30209	Joint for Exhaust Pipe Flange	1		4	
43/1112	Bolts, $\frac{5}{16}$ " B.S.F., for Exhaust	2		2	ea.
43/2081	Spring Washers, $\frac{1}{16}$ ", for Exhaust Flange ..	2		1	"
43/993	Nut, $\frac{5}{16}$ " B.S.F. for ditto	2		1	"
43/30378	Tail Pipe	1	4	0	
43/30685	Clip for Tail Pipe	1		2	
43/894	Bolt, $\frac{1}{4}$ " B.S.F., for Tail Pipe Clip	1		2	
43/2080	Spring Washer for Tail Pipe Clip	1		1	
43/1559	$\frac{1}{4}$ " B.S.F. Nut for ditto	1		1	

Always quote your Chassis number.

Number Plates and Spare Wheel Bracket.

PART No.	DESCRIPTION.	NUMBER PER CAR.	PRICE.		
			£	s.	d.
44/30248	Front Number Plate	1	2	9	
44/30216	Clip for fixing	2		2	
44/30250	Rear Number Plate	1	2	9	
44/30249	Clip for Rear Number Plate	2		2	
44/1091	Screws, $\frac{3}{16}$ " Whit.	8	3	0	
44/2032	Washers, $\frac{3}{16}$ "	8		2	
44/1092	Nuts, $\frac{3}{16}$ " Whit.	8		1	
44/30681	Wood Screws for Rear Number Plate	4		1	
44/30798	Bracket for Spare Wheel	1	3	0	
44/31230	Bolts, $\frac{3}{8}$ " B.S.F., for Spare Wheel Bracket	2		3	
44/2082	Spring Washer for Spare Wheel Bracket	2		1	
44/729	Nuts, $\frac{3}{8}$ " B.S.F.	2		1	
44/30617	Retaining Plate for Spare Wheel	1	1	3	
44/31278	Bolt, $\frac{7}{16}$ " Whit., for Spare Wheel	1		2	
44/30089	Road Wheel (Steel) for 26" x 3" or 700 x 80 Tyres	5	2	5	0
44/31210	Road Wheel (Steel) for 28" x 3 $\frac{1}{2}$ " or 710 x 90 Tyres	5	2	5	0
44/30093	Road Wheel (Steel) for 715 x 115 or 730 x 130 Tyres	5	2	5	0
	Outer Cover	5	} at Makers' Current Prices.		
	Inner Tube	5			
<p><i>Note.</i>—When ordering Inner Tubes it is essential that the make of wheel be quoted, as the inflater adapter is made in two lengths to suit various wheels.</p>					
44/31250	Hub Cap	4	3	0	
44/30059	Spring Washer for Road Wheel Studs	17		1	
44/30058	Domed Nuts for Road Wheel Studs	17		7	

Always quote your Chassis number.

Wings and Running Boards.

PART No.	DESCRIPTION.	NUMBER PER CAR.	PRICE.		
			£	s.	d.
45/31610	Bonnet Board, Right Hand, Front Half	1	11	6	
45/30666	Bonnet Board, Right Hand, Rear Half	1	6	6	
45/31611	Bonnet Board, Left Hand	1	17	6	
45/30625	Countersunk Bolts for Bonnet Board	10	2		ea.
45/30679	Ferrule for Bonnet Board	10	2		"
45/30653	Running Board	2	5	6	"
45/30652	Running Board, with Wheel Well, 1924 Model	-	9	6	
45/31633	Rubber Covering for Running Board	2	7	0	ea.
45/30669	Gimp Pins for Boards	-	2	3	lb.
45/31634	Aluminium Beading for Running Board	2	10	0	set.
45/30668	Wood Screws, Brass, for fixing Beading	25	9		doz.
45/30671	Bolts, $\frac{5}{16}$ " \times $1\frac{1}{4}$ ", for Wings and Front Step Bracket	12			1 ea.
45/30672	Bolt, $\frac{5}{16}$ " \times $2\frac{1}{4}$ ", for Rear Step Bracket	2			1 "
45/30675	Bolt, $\frac{5}{16}$ " \times 2 ", for Rear Step Bracket	2			1 "
45/2081	Washer, $\frac{5}{16}$ ", for Running Board Bolts	16			1 "
45/30673	Nuts, $\frac{5}{16}$ " Whit., for Running Boards	16			1 "
45/2033	Washer, $\frac{1}{4}$ ", for Wing Stays	4			1 "
45/31413	Front Wing Stay, Right Hand	1	5	6	
45/31414	Front Wing Stay, Left Hand	1	5	6	
45/7724	$\frac{3}{8}$ " Washers for Packing Front Wing	4			1 ea.
45/30647	Front Wing, Right Hand	1	1 19	6	
45/30646	Front Wing, Left Hand	1	1 19	6	
45/30670	Bolts, $\frac{1}{4}$ " \times 1 ", for Front Wing Stay	4			3 ea.
45/2080	$\frac{1}{4}$ " Washer for Front Wing Stay Bolts	4			1 "
45/1559A	$\frac{1}{4}$ " Whit. Nut for Front Wing Bolts	4			1 "
45/30681	Wood Screws for Front Wing, 1 " \times No. 10, Round Head	6			1 "
45/30667B	Wood Screws, $\frac{3}{4}$ ", No. 6, Round Head, for Front Wings and Valance	40			1 "
45/2106	Wood Screws, $\frac{3}{4}$ ", No. 10, Round Head, for Valance	20			1 "
45/30686	Valance, Right Hand	1	17	6	
45/30687	Valance, Left Hand	1	17	6	
45/30651	Rear Wing Stay, Right Hand (2-seater Bodies only)	1	7	3	
45/30650	Rear Wing Stay, Left Hand (2-seater Bodies only)	1	7	3	
45/30674	Coach Screw for Rear Wing Stay, $\frac{5}{16}$ " \times 2 " Square Head (for occasional 4-seaters only)	4			2 ea.
45/30675	Coach Bolt for Rear Wing Stay, $\frac{5}{16}$ " \times 2 "	4			2 "
45/2081	Washers, $\frac{5}{16}$ ", for Coach Bolts	4			1 "

Always quote your Chassis number.

Wings and Running Boards—continued.

PART No.	DESCRIPTION.	NUMBER PER CAR.	PRICE.		
			£	s.	d.
46/30673	$\frac{5}{16}$ " Whit. Nut for Coach Bolts	4			1
46/7724	$\frac{3}{8}$ " Packing Washers for Rear Wings ..	4			1
46/30649	Rear Wing, Right Hand	1	1	13	0
46/30648	Rear Wing, Left Hand	1	1	13	0
46/30670	Bolt, $\frac{1}{4}$ " \times 1", for Rear Wing Stay ..	4			3
46/2080	$\frac{1}{4}$ " Washer for Bolts	4			1
46/1559A	Nut, $\frac{1}{4}$ " Whit., for Wing Stay Bolts ..	4			1
46/2033	$\frac{1}{4}$ " Washer for Wing Stay Bolts	4			1
46/30691	Rear Wing Stay, Left Hand, for occasional 4-seater Bodies only	1		7	3
46/30692	Rear Wing Stay, Right Hand, for occasional 4-seater Bodies only	1		7	3
46/31463	Rear Wing Stay, Right Hand, for 4-seater Bodies only	1		7	6
46/31464	Rear Wing Stay, Left Hand, for Bodies	1		7	6
46/1702	Bolt, $\frac{3}{8}$ " B.S.F., for Rear Wing Stays ..	4			1
46/2082	$\frac{3}{8}$ " Spring Washer, for Rear Wing Stays	4			1
46/729	$\frac{3}{8}$ " B.S.F. Nut for Rear Wing Stay Bolt	4			1

For Bodies having
2 or more doors.

IMPORTANT NOTE—When ordering Wings, Wing Irons, Running Boards, Bonnet Boards and Valances, it is advisable to return the old part for reference, or to give a full description, quoting type of body, 9" or 10" wide mudguard blade, divided or full length valance, etc.

Always quote your Chassis number.

Body Fittings.

PART No.	DESCRIPTION.	NUMBER PER CAR.	PRICE.			
			£	s	d.	
47/30675	Bolt, $\frac{5}{16}$ " \times 2", for Packing Strip	2 ea.
47/30677	$\frac{5}{16}$ " \times 3 $\frac{1}{2}$ " Security Bolt for Body	2 "
47/31612	$\frac{5}{16}$ " \times 4" Security Bolt for Body	2 "
47/30676	$\frac{5}{16}$ " \times 3" Security Bolt for Body	2 "
47/30673	$\frac{5}{16}$ " Whit. Nuts for above Bolts	1 "
47/2081	$\frac{5}{16}$ " Spring Washer for above Bolts	1 "
47/30374	Bonnet painted lead colour	2	0	0	
	Bonnet enamelled	4	2	6	
47/30626	Stud for Bonnet	1	4
47/2033	$\frac{1}{4}$ " Washer for Bonnet Stud	2	1 ea.
47/1559	$\frac{1}{4}$ " B.S.F. Nut for Bonnet Stud	1	1
47/30627	Domed Nut, $\frac{1}{4}$ " B.S.F., plated for Bonnet Stud	1	7
47/30664	Bonnet Fastener, complete	4	3	0	ea.
47/30667	Wood Screws, $\frac{3}{4}$ " \times No. 6, Round Head, plated, for Bonnet Fastener	12	1 "
47/30665	Tape (canvas) on Dash for Bonnet	1	2	..	ft.
47/2112	Wood Screws, 1 $\frac{1}{2}$ " No. 10, Raised Head, plated, for Pedal Board	4	1 ea.
47/30688	Raised Ferrule, plated, for Wood Screws	4	1 "
47/30460	Washer for Accelerator Pedal, plated	1	4
47/2118	Wood Screw, $\frac{5}{8}$ " No. 8, Round Head, plated, for Pedal Washer	2	1 "

IMPORTANT NOTE.—When ordering replacements for such parts as Windcreens, Side Curtains, Seat Squabs, Door Handles, Upholstery, Hood Material, Hood Sticks, etc., etc., please quote full description of article required, together with Car number, and return old part for reference, otherwise the order cannot be filled.

Always quote your Chassis number.

Accessories and Fittings.

PART No.	DESCRIPTION.	NUMBER PER CAR.	PRICE		
			£	s.	d.
48/30982	Speedometer Head, A1, non-trip	—	4	10	0
48/30983	Inner and Outer Cable, complete	—	1	0	0
48/30936	Clip for fixing Cable to Chassis	—	1	6	
48/1091	$\frac{3}{16}$ " Whit. Screw for ditto	1		3	d.
48/1092	$\frac{3}{16}$ " Whit. Nut for above Screw	1		1	
48/30985	Clock, Smith's Type A241, popular 8-day, flush fitting	1	2	12	6
48/30645M	Bracket to carry Head Lamp (Miller Lamp)	2	4	3	e
48/30645V	Bracket to carry Head Lamp (C.A.V. Lamp)	2	4	3	
48/30678	Bolt for Lamp Bracket	6		2	
48/1313	Washer for Lamp Bracket Bolt	6		1	
48/2080	Spring Washer for Lamp Bracket Bolt ..	6		1	
48/1559	Nut for Lamp Bracket Bolt	6		1	
48/30949	Bracket for Tail Lamp (for occasional 4-seater only)	1		2	
48/30689	Wood Screws, $\frac{1}{2}$ " No. 6, Round Head ..	4		1	e
48/30923	Petrol Can Carrier, complete with Screws for fixing to Running Boards	1	4	6	
48/30496	Carburetter Strangler, complete	—	3	0	
48/30452	Control Wire for Strangler	1		4	
48/30453	Split Ring for ditto	2		1	e
48/30468	Control Pull for ditto	1	1	3	
48/30469	Stop Plate for ditto	1	1	3	
48/30689	Wood Screws for ditto	2		1	e

IMPORTANT NOTE.—*Lighting and Starting, Ignition and Carburetters.*—When ordering, please quote make and description of article required, and return the old pattern for reference.

Always quote your Chassis number.

Special Parts fitted to Saloons.

PART No.	DESCRIPTION.	NUMBER PER CAR.	PRICE.		
			£	s.	d.
49/31416	Chassis Frame (Right Hand)	1	1	5	0
49/31417	Chassis Frame (Left Hand)	1	1	5	0
49/31418	Rear Spring	2	1	2	6 ea.
49/30241	Stay Rod from Radiator to Body	1			7
49/31474	Hand Brake Lever Bracket	1		3	0
49/31475	Change Speed Rod complete	1		5	6
49/31620	Accelerator Pedal Rod complete	1		5	0
49/31467	Steering Column complete	1	2	9	0
49/31469	Steering Worm Tube complete	1	1	7	0
49/31453	Differential Assembly with 43 Teeth on Crown Wheel	1	10	10	0
49/31451	Special Bevel Pinion, 9 Teeth	1	2	1	3

Always quote your Chassis number.

Tools and Accessories.

PART No.	DESCRIPTION.	NUMBER PER CAR.	PRICE.		
			£	s.	d.
50/30900	Canvas Roll	1	3	0	0
50/1045	Pliers, 6" Combination	1	1	6	0
50/30902	Box Spanner, $\frac{1}{2}$ " and $\frac{7}{16}$ "	1	1	6	0
50/30903	Box Spanner, $\frac{3}{8}$ " and $\frac{5}{16}$ "	1	1	2	0
50/30904	Box Spanner, $\frac{1}{4}$ " and $\frac{3}{16}$ "	1			10
50/30905	Tommy Bar	1			4
50/30906	Spanner, Double-ended, $\frac{5}{16}$ " and $\frac{1}{4}$ "	1	1	0	0
50/1059	Spanner, Double-ended, $\frac{1}{4}$ " and $\frac{3}{16}$ "	1			9
50/30907	Adjustable Spanner, 9"	1	3	0	0
50/30908	Screw Driver	1			9
50/30909	Tyre Levers	2			6
50/30917	Tool Roll, fitted with Tools as above	1	15	0	0
50/30915	Magneto Spanner	1			9
50/30910	Tyre Inflator	1	7	9	0
50/30918	Lifting Jack, with Key	1	6	0	0
50/30920	Wheel Nut Brace	1	5	0	0
50/30998	Grease Gun	1	16	0	0

Always quote your Chassis number.

Index.

	PAGE
METHOD OF ORDERING SPARE PARTS FOR CLYNO CARS	3
ENGINE, STANDARD 1924-25	5
ENGINE (COLONIAL OR SALOON MODELS)	12
ENGINE (BALL BEARING TYPE)	13
FLYWHEEL AND CLUTCH	14
MAGNETO AND CARBURETTER	15
CLUTCH SHAFT	16
GEAR BOX	18
GEAR BOX (R.H. CHANGE SPEED CONTROL)	21
TORQUE TUBE AND PROPELLER SHAFT	22
BACK AXLE	23
FRONT AXLE	26
SPEEDOMETER FRONT WHEEL DRIVE	29
STEERING	30
THROTTLE AND IGNITION HAND CONTROLS (Steering Column Type)	32
THROTTLE AND IGNITION HAND CONTROLS (Instrument Board Type)	33
FOOT CONTROL FOR CARBURETTER	34
CLUTCH AND BRAKE CONTROLS	35
CHASSIS FRAME (WITH SPRINGS AND SUNDRIES)	38
RADIATOR AND FITTINGS	41
PETROL TANK AND FITTINGS	42
SILENCER AND PIPES	43
NUMBER PLATES AND SPARE WHEEL BRACKET	44
WINGS AND RUNNING BOARDS	45
BODY FITTINGS	47
ACCESSORIES AND FITTINGS	48
SPECIAL PARTS FITTED TO SALOONS	49
TOOLS AND ACCESSORIES.. .. .	50